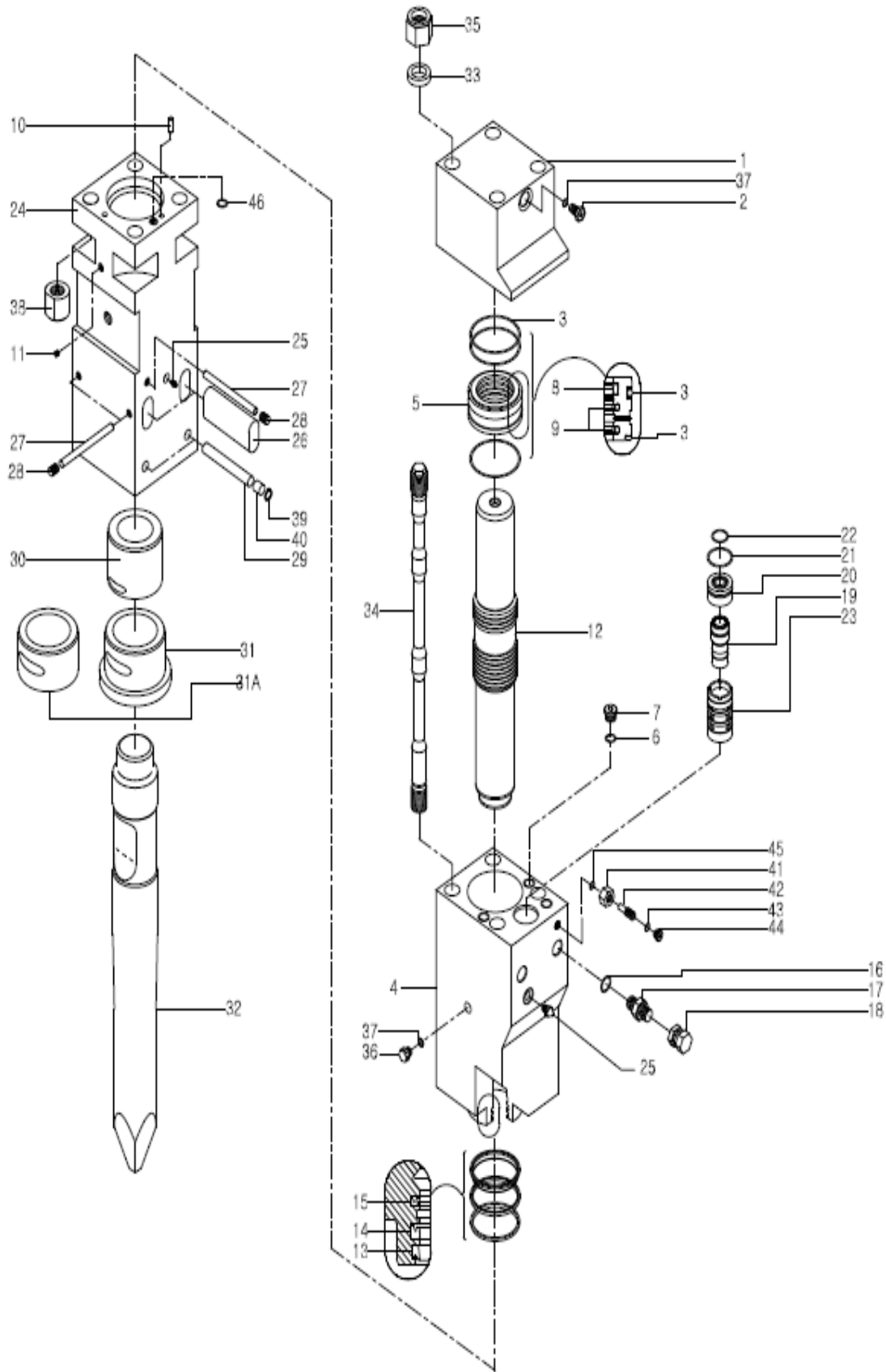


Hydraulic Breaker Parts Manual RB2000 – RB9500



Rock Breakers, Inc. www.rbibreakers.com

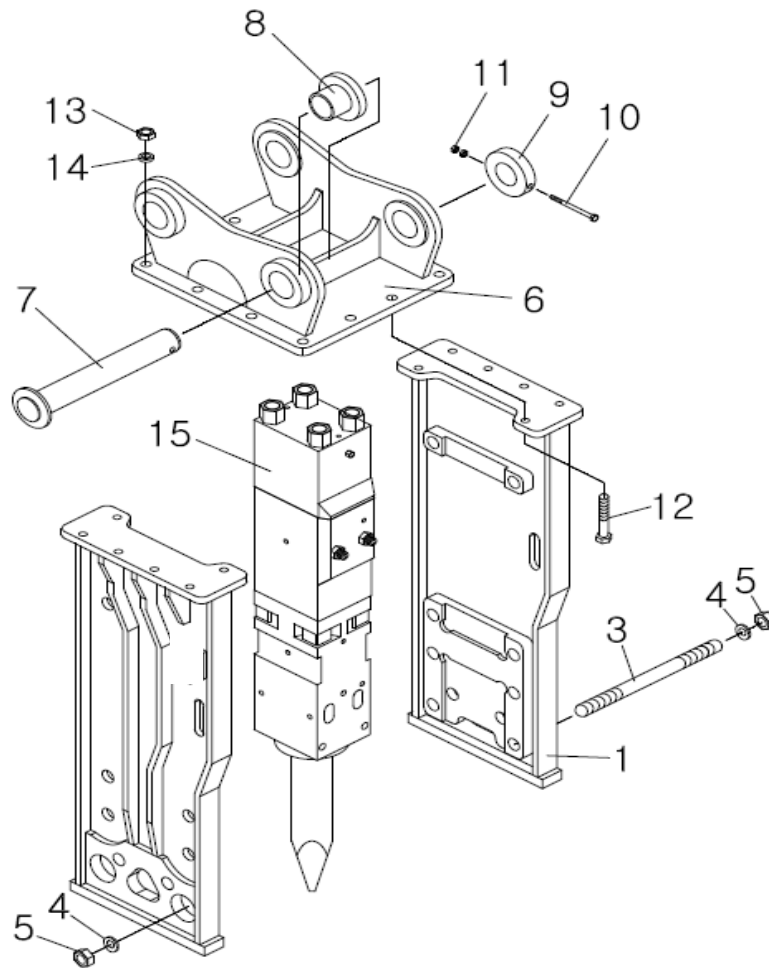
RB2000 HAMMER



RB2000 HAMMER

ITEM	NAME	NUMBER	QTY.
	Main Body Assembly	3H03-215MBA	1
1	Back Cap	3H03-215A0031	1
2	Gas Valve Assembly	3Z03-G105001	1
3	Cylinder Sleeve O-Ring	3H03-180A554	3
4	Cylinder	3H03-215A002	1
5	Cylinder Sleeve	3H03-215B005	1
6	O-Ring	3H03-180A536	1
7	Socket Plug	3H03-140A302	1
8	Gas Seal	3H03-180A309	1
9	Step Seal	3H03-180A257	2
10	Lock Pin	3E03-206A099	1
11	Plug	3H03-140A362	1
12	Piston	3H03-215P004	1
13	Dust Seal	3H03-180A159	1
14	U-Packing	3H03-180A112	1
15	Buffer Seal	3H03-180A256	1
16	O-Ring	3H03-180A537	2
17	Adapter	3H03-140A209	2
18	Union Cap	3H03-140A353	2
19	Main Valve	3H03-215A006	1
20	Valve Cap	3H03-215A008	1
21	O-Ring	3H03-180A502	1
22	O-Ring	3H03-180A540	1
23	Main Valve Inner Sleeve	3H03-215A007	1
24	Front Cap Assembly	3H03-215A003	1
25	Grease Nipple	3A03-120A621	2
26	Tool Set Pin	3H03-215B020	2
27	Shank Set Pin/Tool Stopper Pin	3H03-215A021	3
28	Tool Stop Plug	3H03-180A351	3
29	Front Cap Bushing Set Pin	3H03-215A022	2
30	Shank Bushing	3H03-215A013	1
31	Front Cap Bushing (Top Type Plates)	3H03-215A014	1
31A	Front Cap Bushing (Box Type Plates)	3H03-215A015	1
32	Tool Moil (Chisel, Blunt)	3H03-2000P (FX, E)	1
33	Side Rod Washer	3H03-215A019	4
34	Side Rod Assembly	3H03-215A016	4
35	Side Rod Upper Nut	3H03-215A017	4
36	Air Check Valve	3A03-201A046	1
37	O-Ring	3A03-180A504	2
38	Side Rod Lower Nut	3H03-215A018	4
39	Snap Ring	3H03-120A553	2
40	Rubber Plug	3H03-180A352	2
41	Hex Nut	3H03-120B305	1
42	Valve Adjuster Set	3H03-215C023	1
43	O-Ring	3H03-180A503	10
44	Socket Plug	3H03-140A306	10
45	O-Ring	3H03-180A778	1
46	O-Ring	3H03-180A779	1

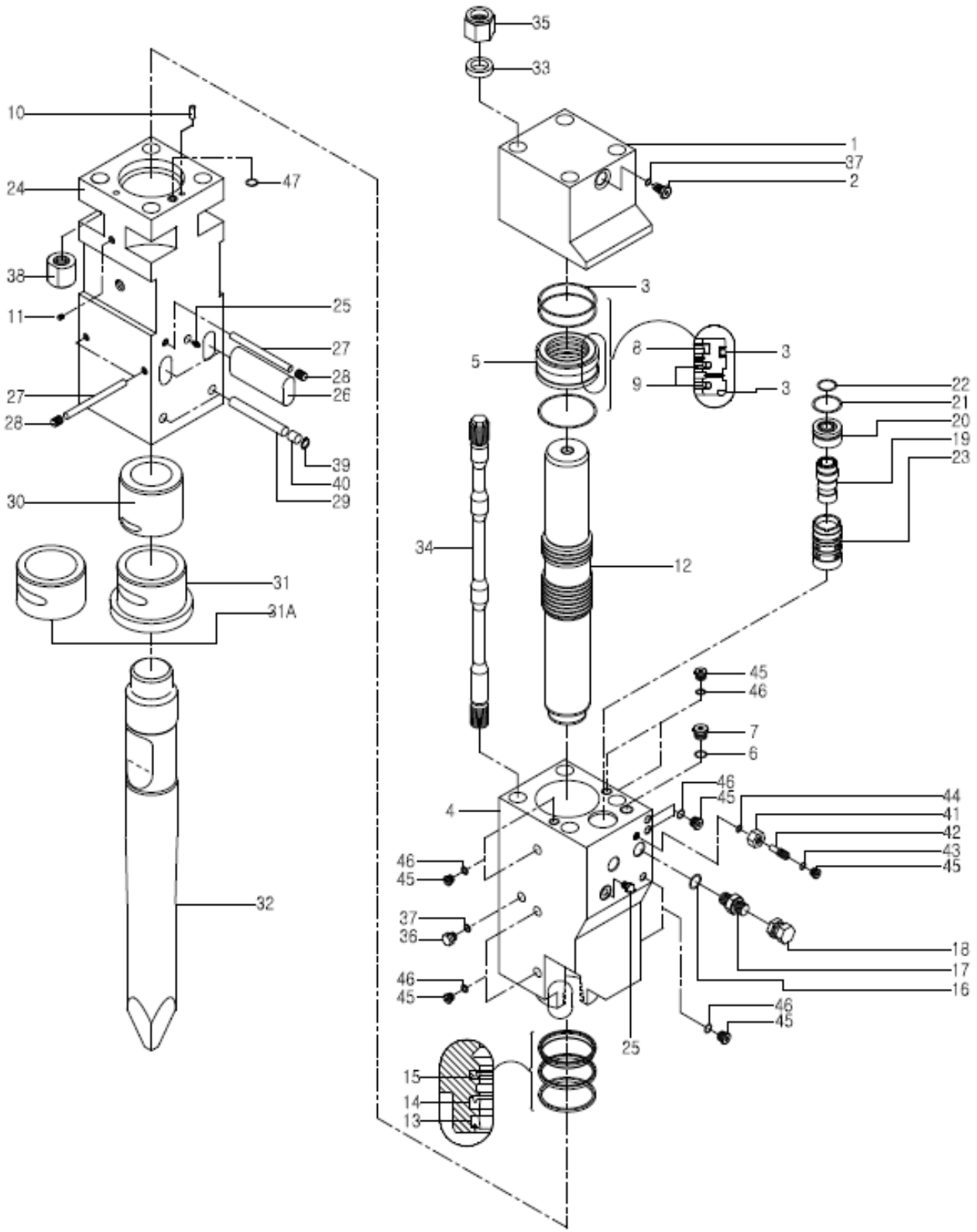
RB2000 HAMMER



RB2000 BRACKET ASSEMBLY PARTS LIST

NO.	PART NO.	DESCRIPTION	QTY.	REMARKS
1	3H03-215001	Hammer Bracket Assembly	1	
2		N/A		
3	3H03-A1031R	Bracket Bolt	8	
4	3H03-A1033S	Bracket Bolt Washer	16	
5	3H03-A1032S	Bracket Bolt Nut	16	
6	Per Carrier Model	Top Cap	1	
7	Per Carrier Model	Bracket Pin	2	
8	Per Carrier Model	T-Bush	4	
9	Per Carrier Model	Stop Ring	2	
10	3H03-120A121	Stop Ring Bolt	2	
11	3F03-120A302	Stop Ring Nut	4	
12	3H01-TC2000B	Top Cap Bolt w/ nut & washer	12	
13	3H01-TC2000W	Top Cap Nut	12	
14	3H01-TC2000N	Top Cap Washer	12	
15	3H03-215MBA	Main Body	1	

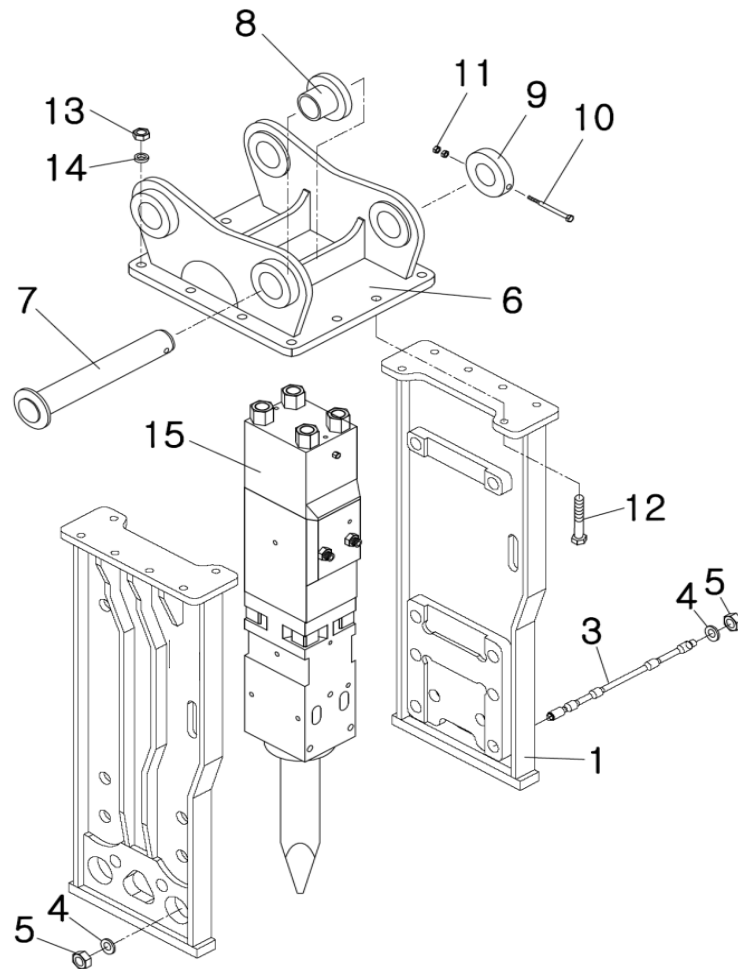
RB3600 HAMMER



RB3600 HAMMER

ITEM	NAME	NUMBER	QTY.
	Main Body Assembly	3J03-221MBA	1
1	Back Cap	3J03-221A031	1
2	Gas Valve Assembly	3Z03-G105001	1
3	Cylinder Sleeve O-Ring	3J03-180A563	3
4	Cylinder	3J03-221A002	1
5	Cylinder Sleeve	3J03-221B005	1
6	O-Ring	3H03-180A536	3
7	Socket Plug	3H03-140A302	3
8	Gas Seal	3J03-180A322	1
9	Step Seal	3J03-180A268	2
10	Lock Pin	3E03-206A099	1
11	Plug	3H03-140A362	3
12	Piston	3J03-221P004	1
13	Dust Seal	3J03-180A177	1
14	U-Packing	3J03-180A130	1
15	Buffer Seal	3J03-180A223	1
16	O-Ring	3J03-180A571	2
17	Adapter	3H03-140A209	2
18	Union Cap	3H03-140A353	2
19	Main Valve	3J03-221A006	1
20	Valve Cap	3J03-221A008	1
21	O-Ring	3J03-180A508	1
22	O-Ring	3J03-180A675	1
23	Main Valve Inner Sleeve	3J03-221A007	1
24	Front Cap Assembly	3J03-221A003	1
25	Grease Nipple	3A03-120A621	2
26	Tool Set Pin	3J03-221B020	2
27	Shank Set Pin/Tool Stopper Pin	3J03-221A021	2
28	Tool Stop Plug	3H03-180A351	3
29	Front Cap Bushing Set Pin	3J03-221A022	2
30	Shank Bushing	3J03-221A013	1
31	Front Cap Bushing (Top Type Plates)	3J03-221A014	1
31A	Front Cap Bushing (Box Type Plates)	3J03-221A015	1
32	Tool Moil (Chisel, Blunt)	3J03-3600P (FX, E)	1
33	Side Rod Washer	3J03-221A019	4
34	Side Rod Assembly	3J03-221A016	4
35	Side Rod Upper Nut	3J03-221A017	4
36	Air Check Valve	3A03-201A046	1
37	O-Ring	3A03-180A504	2
38	Side Rod Lower Nut	3J03-221A018	4
39	Snap Ring	3H03-120A553	2
40	Rubber Plug	3H03-180A352	2
41	Hex Nut	3J03-120A309	1
42	Valve Adjuster Set	3J03-221A023	1
43	O-Ring	3H03-180A503	12
44	Socket Plug	3H03-140A306	12
45	Heli-Sert Coil	3J03-120A602	4
46	O-Ring	3K04-180A522	10
47	O-Ring	3H04-180A779	1

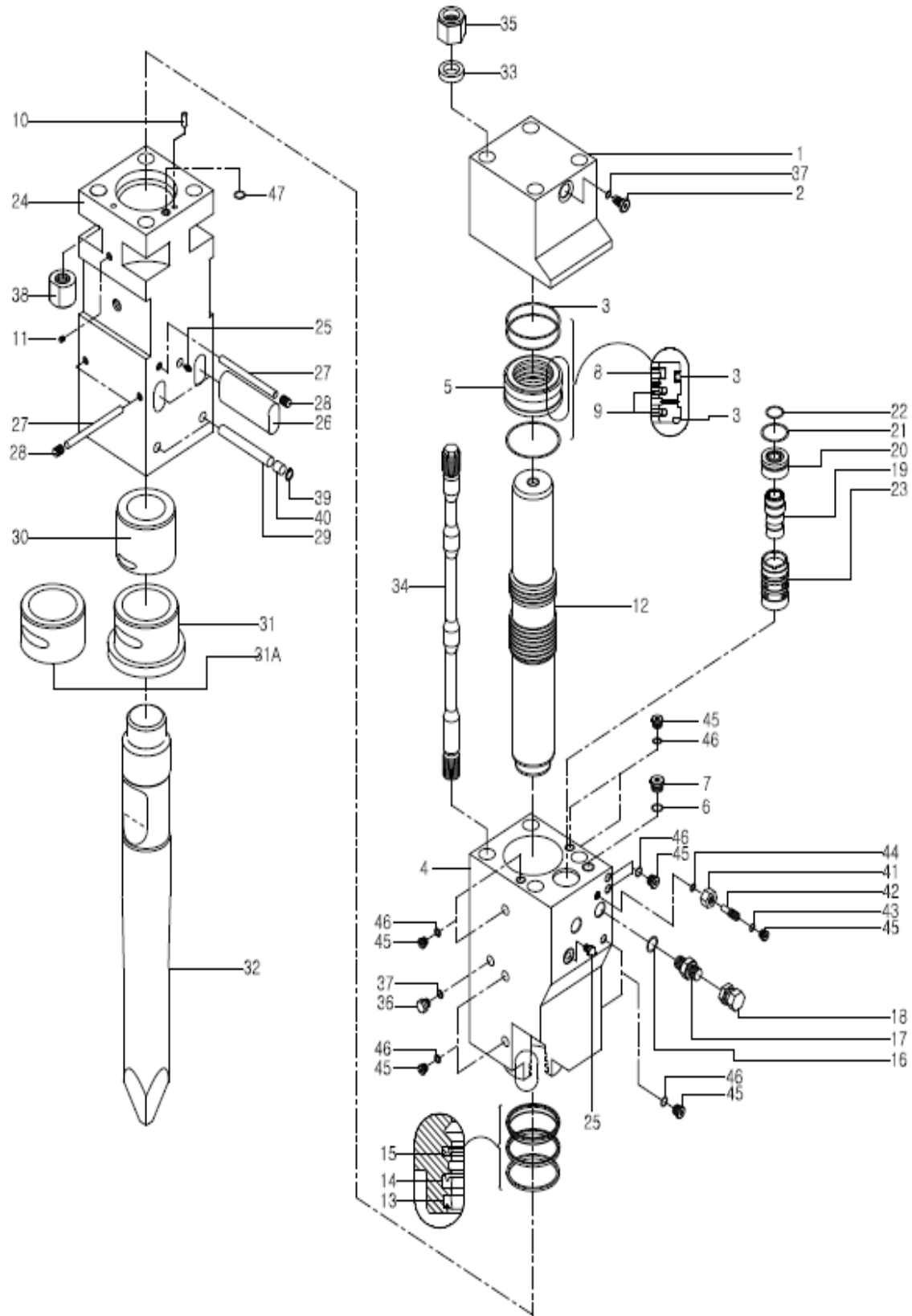
RB3600 HAMMER



RB3600 BRACKET ASSEMBLY PARTS LIST

NO.	PART NO.	DESCRIPTION	QTY.	REMARKS
1	3J03-221E1001	Hammer Bracket Assembly	1	
2		N/A		
3	3J03-A1031	Bracket Bolt	8	
4	3J03-A1033	Bracket Bolt Washer	16	
5	3J03-A1032	Bracket Bolt Nut	16	
6	Per Carrier Model	Top Cap	1	
7	Per Carrier Model	Bracket Pin	2	
8	Per Carrier Model	T-Bush	4	
9	Per Carrier Model	Stop Ring	2	
10	3H03-120A121	Stop Ring Bolt	2	
11	3H03-120A302	Stop Ring Nut	4	
12	3J01-TC3600B	Top Cap Bolt w/ nut & washer	12	
13	3J01-TC3600N	Top Cap Nut	12	
14	3J01-TC3600W	Top Cap Washer	12	
15	3J03-221MBA	Main Body	1	

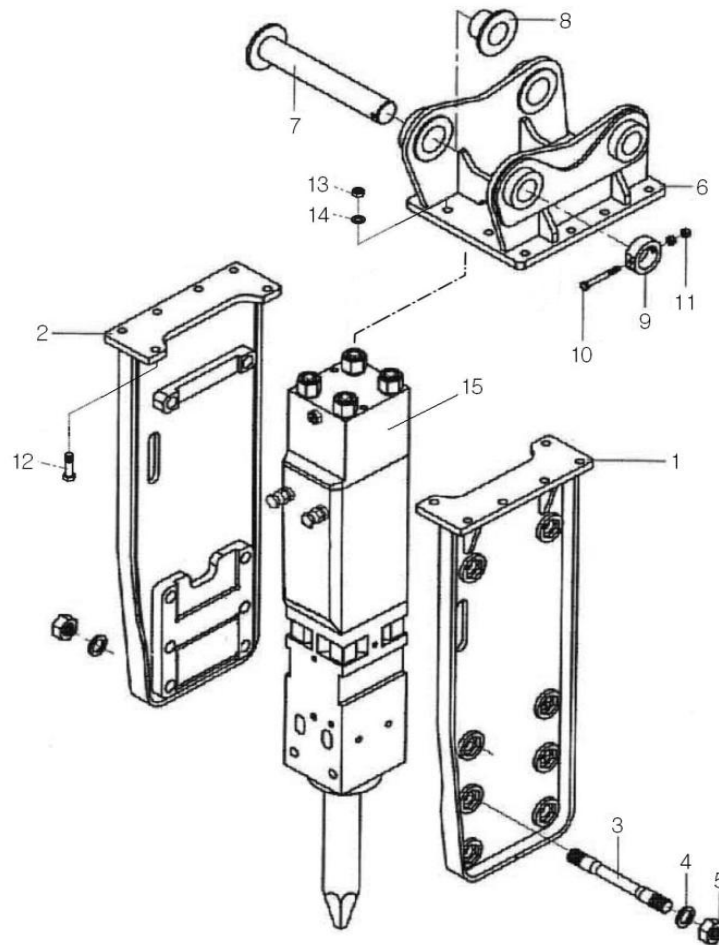
RB4000 HAMMER



RB4000 HAMMER

ITEM	NAME	NUMBER	QTY.
	Main Body Assembly	3K04-4000MBA	1
1	Back Cap	3K04-4000A031	1
2	Gas Valve Assembly	3Z03-G105001	1
3	Cylinder Sleeve O-Ring	3K04-180A566	3
4	Cylinder	3K04-4000A002	1
5	Cylinder Sleeve	3K04-4000B005	1
6	O-Ring	3K04-180A570	1
7	Socket Plug	3K04-140A303	1
8	Gas Seal	3K04-180A310	1
9	Step Seal	3K04-180A258	2
10	Lock Pin	3E03-206A099	1
11	Plug	3H03-140A362	1
12	Piston	3K04-4000P004	1
13	Dust Seal	3K04-180A160	1
14	U-Packing	3K04-180A113	1
15	Buffer Seal	3K04-180A208	1
16	O-Ring	3J03-180A571	2
17	Adapter	3H03-140A209	2
18	Union Cap	3H03-140A353	2
19	Main Valve	3K04-4000D006	1
20	Valve Cap	3K04-4000D008	1
21	O-Ring	3K04-180A514	1
22	O-Ring	3K04-180A568	1
23	Main Valve Inner Sleeve	3K04-4000A007	1
24	Front Cap Assembly	3K04-4000A003	1
25	Grease Nipple	3A03-120A621	2
26	Tool Set Pin	3K04-4000B20	2
27	Shank Set Pin/Tool Stopper Pin	3K04-4000A21	3
28	Tool Stop Plug	3H03-180A352	3
29	Front Cap Bushing Set Pin	3K04-4000A22	2
30	Shank Bushing	3K04-4000A13	1
31	Front Cap Bushing (Top Type Plates)	3K04-4000A14	1
31A	Front Cap Bushing (Box Type Plates)	3K04-4000A15	1
32	Tool Moil (Chisel, Blunt)	3K04-4000P (FX,E)	1
33	Side Rod Washer	3K04-4000A19	4
34	Side Rod Assembly	3K04-4000A16	4
35	Side Rod Upper Nut	3K04-4000A17	4
36	Air Check Valve	3A03-201A046	1
37	O-Ring	3A03-180A504	2
38	Side Rod Lower Nut	3K04-4000A18	4
39	Snap Ring	3K04-120A554	2
40	Rubber Plug	3K04-180A354	2
41	Hex Nut	3J03-120A309	1
42	Valve Adjuster	3J03-221A023	1
43	O-Ring	3H03-180A503	1
44	O-Ring	3H03-180A778	1
45	Socket Plug	3H03-140A306	11
46	O-Ring	3K04-180A522	10
47	O-Ring	3H03-180A779	1

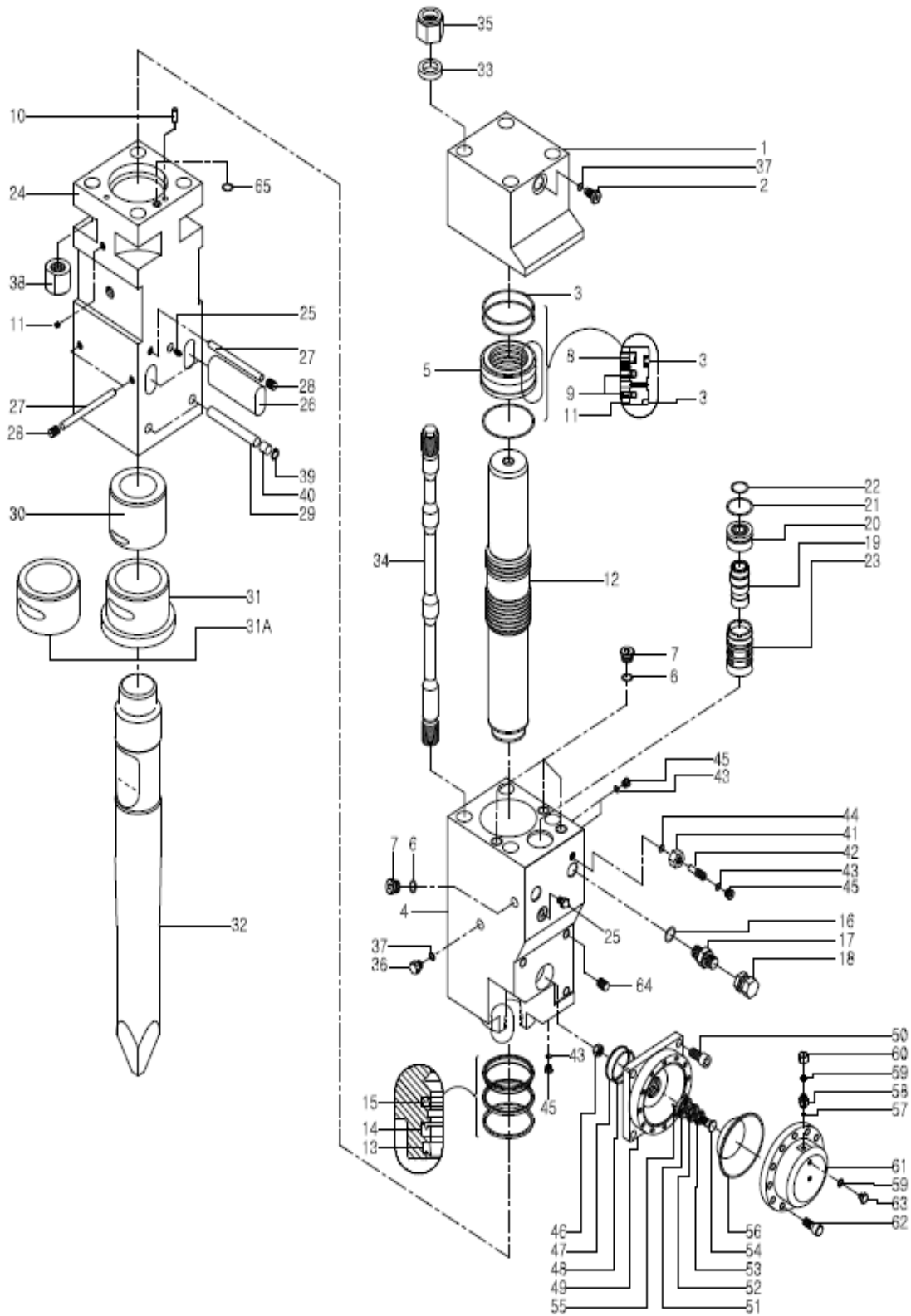
RB4000 HAMMER



RB4000 BRACKET ASSEMBLY PARTS LIST

NO.	PART NO.	DESCRIPTION	QTY.	REMARKS
1	3K04-40001S	Hammer Bracket Assembly	1	
2		N/A		
3	3K04-GA1031	Bracket Bolt	8	
4	3K03-GA1033	Bracket Bolt Washer	16	
5	3K03-GA1032	Bracket Bolt Nut	16	
6	Per Carrier Model	Top Cap	1	
7	Per Carrier Model	Bracket Pin	2	
8	Per Carrier Model	T-Bush	4	
9	Per Carrier Model	Stop Ring	2	
10	3H03-120A121	Stop Ring Bolt	2	
11	3H03-120A302	Stop Ring Nut	4	
12	3J01-TC3600B	Top Cap Bolt w/ nut & washer	12	
13	3J01-TC3600N	Top Cap Nut	12	
14	3J01-TC3600W	Top Cap Washer	12	
15	3K04-4000MBA	Main Body	1	

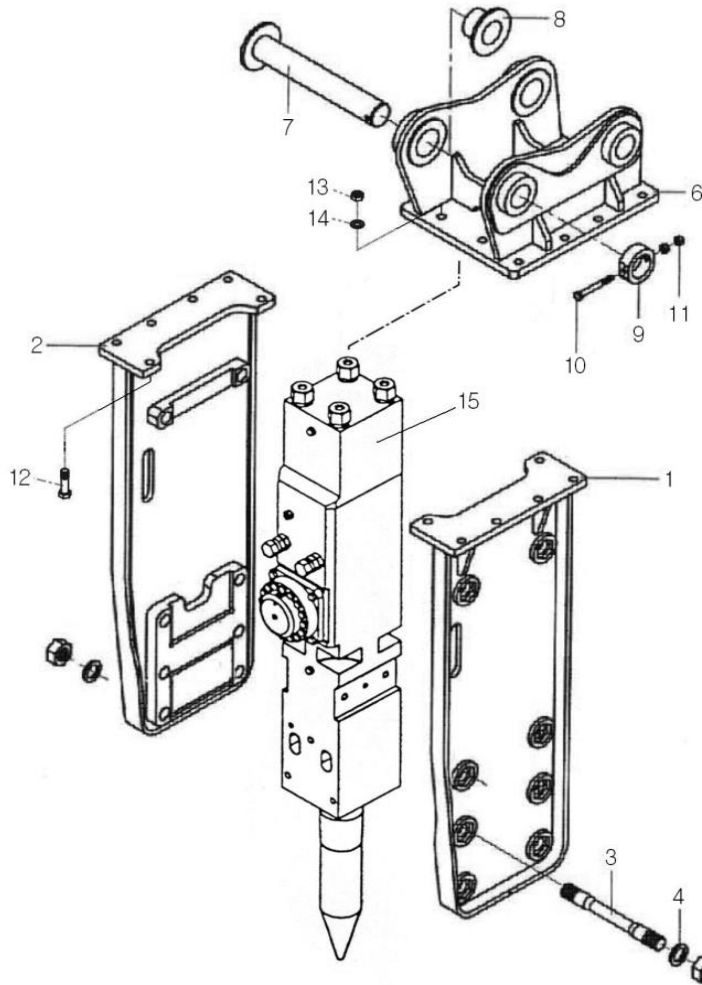
RB4500 HAMMER



ITEM	NAME	NUMBER	QTY.
	Main Body Assembly	3K03-227MBA	1
1	Back Cap	3K03-227A031	1
2	Gas Valve Assembly	3Z03-G105001	1
3	Cylinder Sleeve O-Ring	3K03-180A576	3
4	Cylinder	3K03-227A002	1
5	Cylinder Sleeve	3K03-227B005	1
6	O-Ring	3K04-180A570	1
7	Socket Plug	3K04-140A303	1
8	Gas Seal	3K03-180A312	1
9	Step Seal	3K03-180A260	2
10	Lock Pin	3E03-206A099	1
11	Plug	3H03-140A362	1
12	Piston	3K03-227P004	1
13	Dust Seal	3K03-180A162	1
14	U-Packing	3K03-180A115	1
15	Buffer Seal	3K03-180A210	1
16	O-Ring	3K03-180A586	2
17	Adapter	3K03-140A211	2
18	Union Cap	3K03-140A355	2
19	Main Valve	3K03-227A006	1
20	Valve Cap	3K03-227A008	1
21	O-Ring	3K04-180A514	1
22	O-Ring	3K04-180A568	1
23	Main Valve Inner Sleeve	3K03-227A007	1
24	Front Cap Assembly	3K03-227A003	1
25	Grease Nipple	3A03-120A621	2
26	Tool Set Pin	3K03-227B020	2
27	Shank Set Pin/Tool Stopper Pin	3K03-227A021	3
28	Rubber Plug	3H03-180A351	3
29	Front Cap Bushing Set Pin	3K03-227A022	2
30	Shank Bushing	3K03-227A013	1
31	Front Cap Bushing (Top Type Plates)	3K03-227A014	1
31A	Front Cap Bushing (Box Type Plates)	3K03-227A015	1
32	Tool Moil (Chisel, Blunt)	3K03-4500P (FX, E)	1
33	Side Rod Washer	3K03-227A019	4
34	Side Rod Assembly	3K03-227A016	4
35	Side Rod Upper Nut	3K03-227A017	4
36	Air Check Valve	3A03-201A046	1
37	O-Ring	3A03-180A504	2
38	Side Rod Lower Nut	3K03-227A018	4
39	Snap Ring	3H03-120A553	2
40	Rubber Plug	3H03-180A352	2
41	Valve Adjuster Nut	3J03-120A309	1
42	Valve Adjuster	3J03-221A023	1
43	O-Ring	3H03-180A503	10
44	Socket Plug	3H03-140A306	10
45	O-Ring	3H03-180A778	1

ITEM	NAME	NUMBER	QTY.
46	Acc. Holder Nut	3L03-120A305	1
47	O-Ring	3L03-180A521	1
48	Back-up Ring	3L03-180A705	1
49	Accumulator Body	3J03-221GA027	1
50	Socket Bolt	3K03-120A204	4
51	Acc. Holder (A)	3L03-233GA032	1
52	Acc. Holder (B)	3L03-233GA033	1
53	Acc. Holder (C)	3L03-233GA034	1
54	Acc. Holder Body Bolt	3L03-233GA037	1
55	Acc. Holder Pin	3L03-233GA036	1
56	Diaphragm	3L03-233GA025	1
57	O-Ring	3L03-180A574	1
58	Acc. Charging Valve	3L03-233GA029	1
59	O-Ring	3L03-180A575	2
60	Acc. Charging Valve Cap	3L03-233GA030	1
61	Accumulator Cover	3L03-233GA028	1
62	Socket Bolt	3L03-120A203	12
63	Acc. Hex Plug	3L03-233GA031	1
64	Heli-Sert Coil	3K03-120A601	4
65	O-Ring	3K03-120A779	1

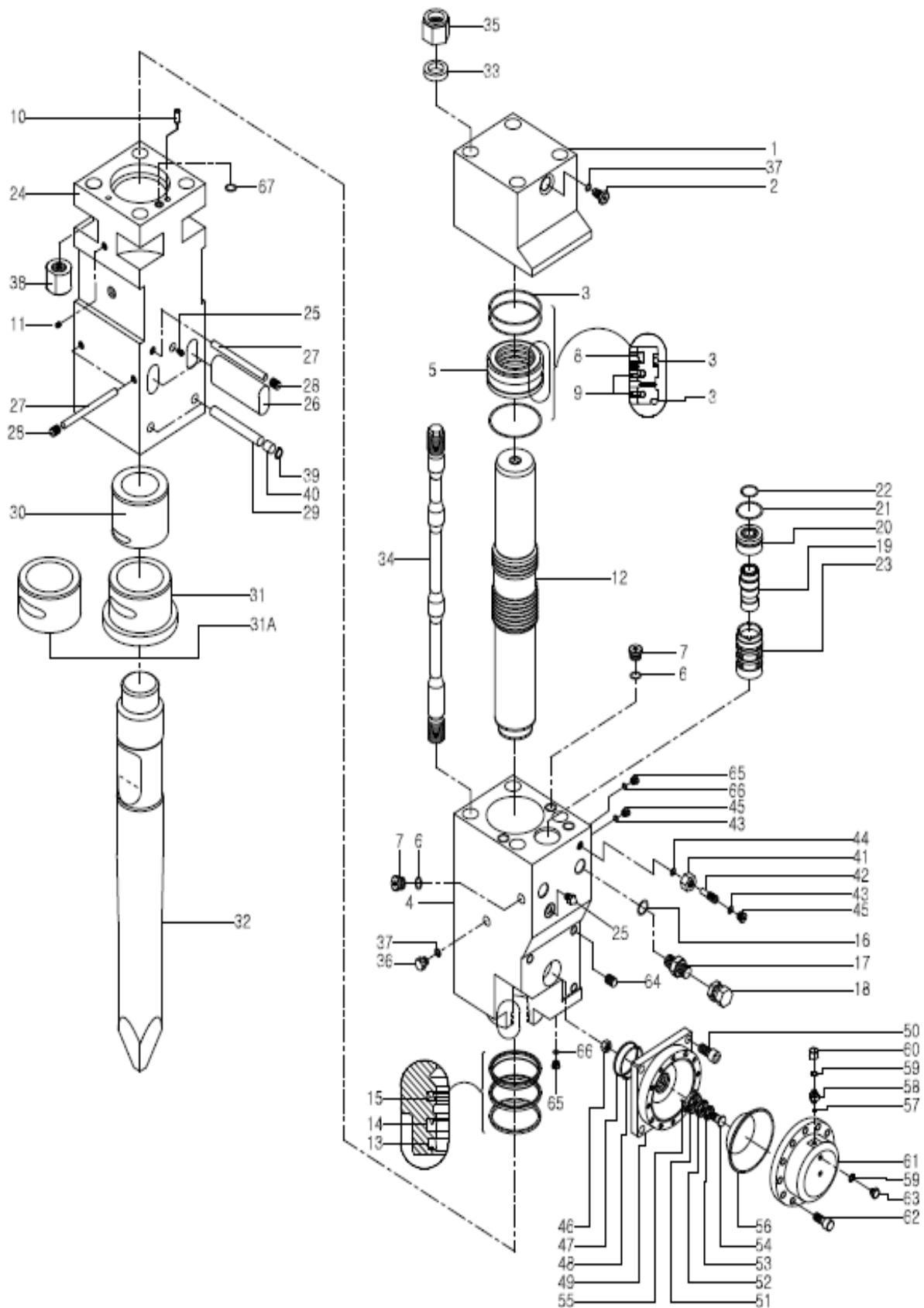
RB4500 HAMMER



RB4500 BRACKET ASSEMBLY PARTS LIST

NO.	PART NO.	DESCRIPTION	QTY.	REMARKS
1	3K03-22701	Hammer Bracket Assembly	1	
2		N/A		
3	3K03-A1031	Bracket Bolt	8	
4	3K03-GA1033	Bracket Bolt Washer	16	
5	3K03-GA1032	Bracket Bolt Nut	16	
6	Per Carrier Model	Top Cap	1	
7	Per Carrier Model	Bracket Pin	2	
8	Per Carrier Model	T-Bush	4	
9	Per Carrier Model	Stop Ring	2	
10	3H03-120A121	Stop Ring Bolt	2	
11	3H03-120A302	Stop Ring Nut	4	
12	3J01-TC3600B	Top Cap Bolt w/ nut & washer	12	
13	3J01-TC3600N	Top Cap Nut	12	
14	3J01-TC3600W	Top Cap Washer	12	
15	3K03-227MBA	Main Body	1	

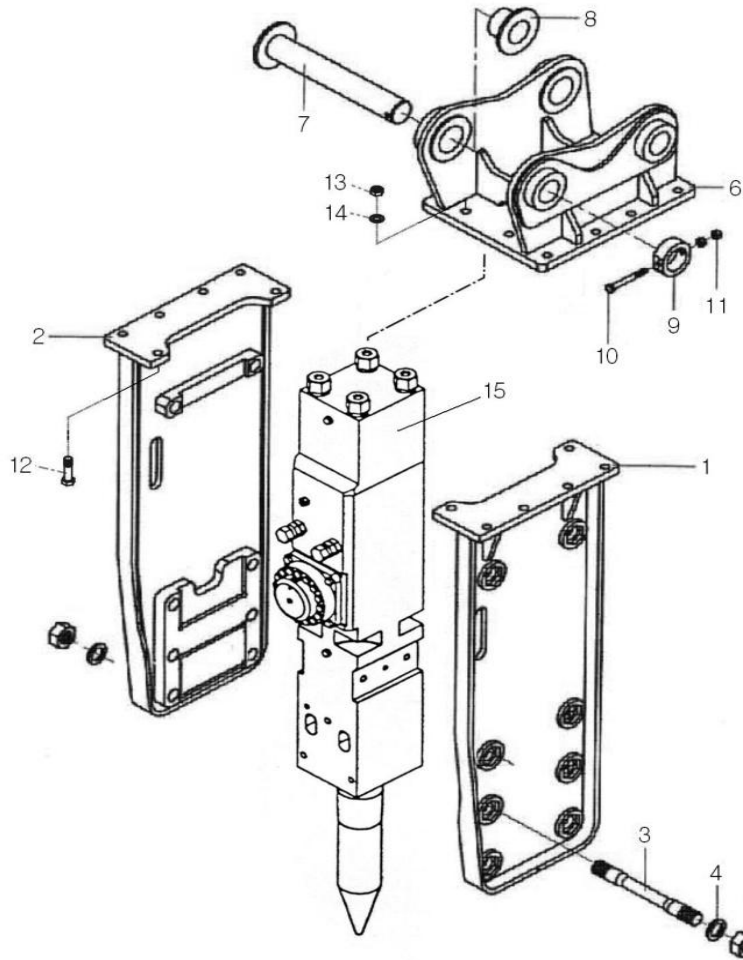
RB5800 HAMMER



ITEM	NAME	NUMBER	QTY.
	Main Body Assembly	3L03-233MBA	1
1	Back Cap	3L03-233A031	1
2	Gas Valve Assembly	3Z03-G105001	1
3	Cylinder Sleeve O-Ring	3L03-180A595	3
4	Cylinder	3L03-233A002	1
5	Cylinder Sleeve	3L03-233B005	1
6	O-Ring	3L03-180A592	1
7	Socket Plug	3L03-140A304	1
8	Gas Seal	3L03-180A313	1
9	Step Seal	3L03-180A261	2
10	Lock Pin	3E03-206A099	1
11	Plug	3H03-140A362	1
12	Piston	3L03-233P004	1
13	Dust Seal	3L03-180A163	1
14	U-Packing	3L03-180A116	1
15	Buffer Seal	3L03-180A212	1
16	O-Ring	3L03-180A596	2
17	Adapter	3L03-140A212	2
18	Union Cap	3L03-140A356	2
19	Main Valve	3L03-233B006	1
20	Valve Cap	3L03-233B008	1
21	O-Ring	3L03-180A594	1
22	O-Ring	3K04-180A568	1
23	Main Valve Inner Sleeve	3L03-233A007	1
24	Front Cap Assembly	3L03-233A003	1
25	Grease Nipple	3A03-120A621	2
26	Tool Set Pin	3L03-233B020	2
27	Shank Set Pin/Tool Stopper Pin	3L03-233B021	3
28	Tool Stop Plug	3H03-180A351	3
29	Front Cap Bushing Set Pin	3L03-233A022	2
30	Shank Bushing	3L03-233A013	1
31	Front Cap Bushing (Top Type Plates)	3L03-233A014	1
31A	Front Cap Bushing (Box Type Plates)	3L03-233A015	1
32	Tool Moil (Chisel, Blunt)	3L03-5800P (FX, E)	1
33	Side Rod Washer	3K03-227A019	4
34	Side Rod Assembly	3L03-233A016	4
35	Side Rod Upper Nut	3K03-227A017	4
36	Air Check Valve	3A03-201A046	1
37	O-Ring	3A03-180A504	2
38	Side Rod Lower Nut	3K03-227A018	4
39	Snap Ring	3H03-120A553	2
40	Rubber Plug	3H03-180A352	2
41	Hex Nut	3L03-120A307	1
42	Valve Adjuster	3L03-233A023	1
43	O-Ring	3L03-180A523	2
44	O-Ring	3H03-180A536	1
45	Socket Plug	3L03-140A3061	1

ITEM	NAME	NUMBER	QTY.
46	Acc. Holder Nut	3L03-120A305	1
47	O-Ring	3L03-180A680	1
48	Back-up Ring	3L03-180A737	1
49	Accumulator Body	3L03-233GA027	1
50	Socket Bolt	3K03-120A204	4
51	Acc. Holder (A)	3L03-233GA032	1
52	Acc. Holder (B)	3L03-233GA033	1
53	Acc. Holder (C)	3L03-233GA034	1
54	Acc. Holder Body Bolt	3L03-233GA037	1
55	Acc. Holder Pin	3L03-233GA036	1
56	Diaphragm	3L03-233GA025	1
57	O-Ring	3L03-180A574	1
58	Acc. Charging Valve	3L03-233GA029	1
59	O-Ring	3L03-180A575	2
60	Acc. Charging Valve Cap	3L03-233GA030	1
61	Accumulator Cover	3L03-233GA028	1
62	Socket Bolt	3L03-120A203	12
63	Acc. Hex Plug	3L03-233GA031	1
64	Heli-Sert Coil	3K03-120A601	4
65	Socket Plug	3H03-140A306	9
66	O-Ring	3H03-180A503	9
67	O-Ring	3H03-180A779	1

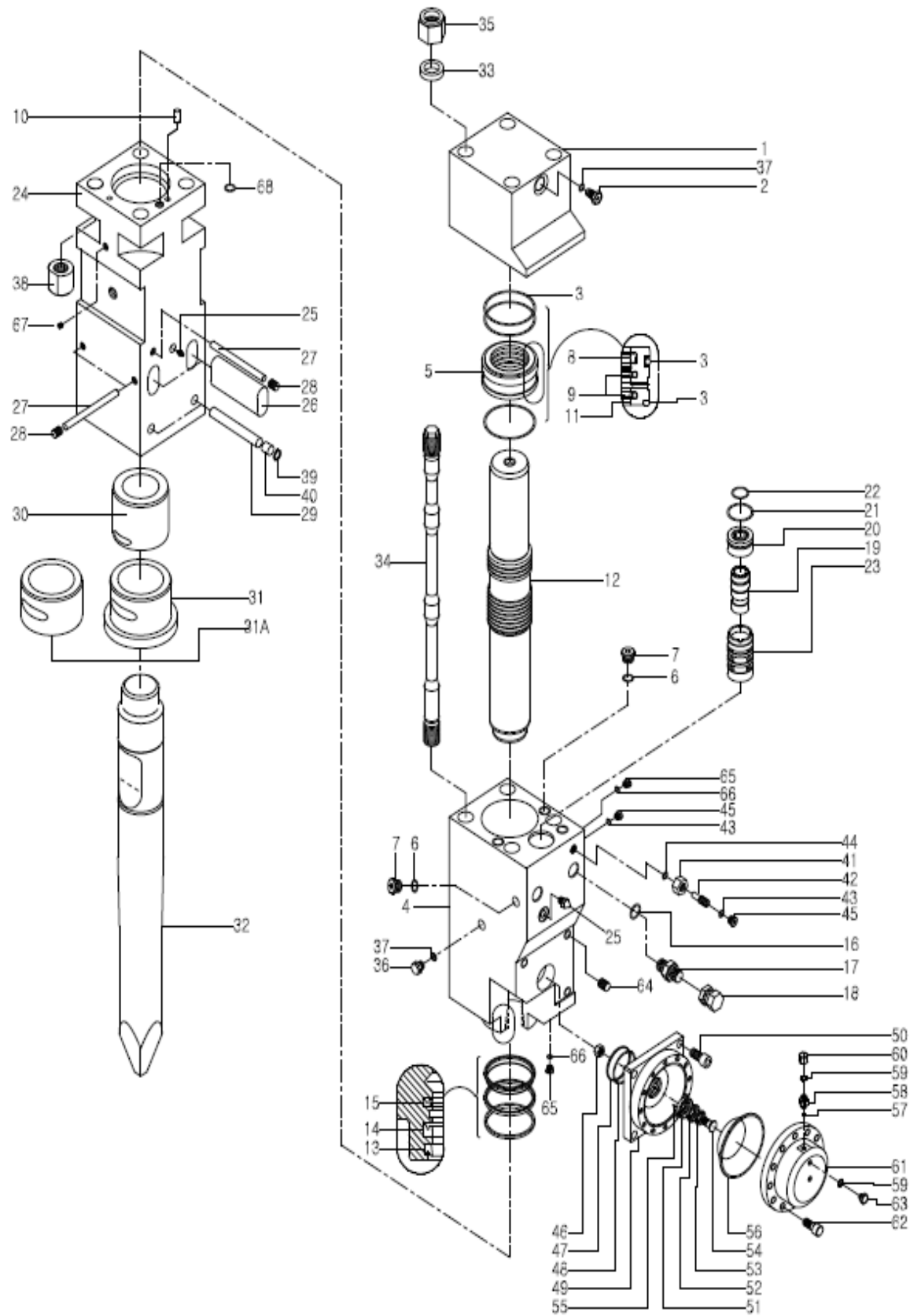
RB5800 HAMMER



RB5800 BRACKET ASSEMBLY PARTS LIST

NO.	PART NO.	DESCRIPTION	QTY.	REMARKS
1	3L03-23301	Hammer Bracket Assembly	1	
2		N/A	1	
3	3L03-A1031	Bracket Bolt	8	
4	3L03-A1033	Bracket Bolt Washer	16	
5	3L03-A1032	Bracket Bolt Nut	16	
6	Per Carrier Model	Top Cap	1	
7	Per Carrier Model	Bracket Pin	2	
8	Per Carrier Model	T-Bush	4	
9	Per Carrier Model	Stop Ring	2	
10	3H03-120A121	Stop Ring Bolt	2	
11	3H03-120A302	Stop Ring Nut	4	
12	3J01-TC3600B	Top Cap Bolt w/ nut & washer	12	
13	3J01-TC3600N	Top Cap Nut	12	
14	3J01-TC3600W	Top Cap Washer	12	
15	3L03-233MBA	Main Body	1	

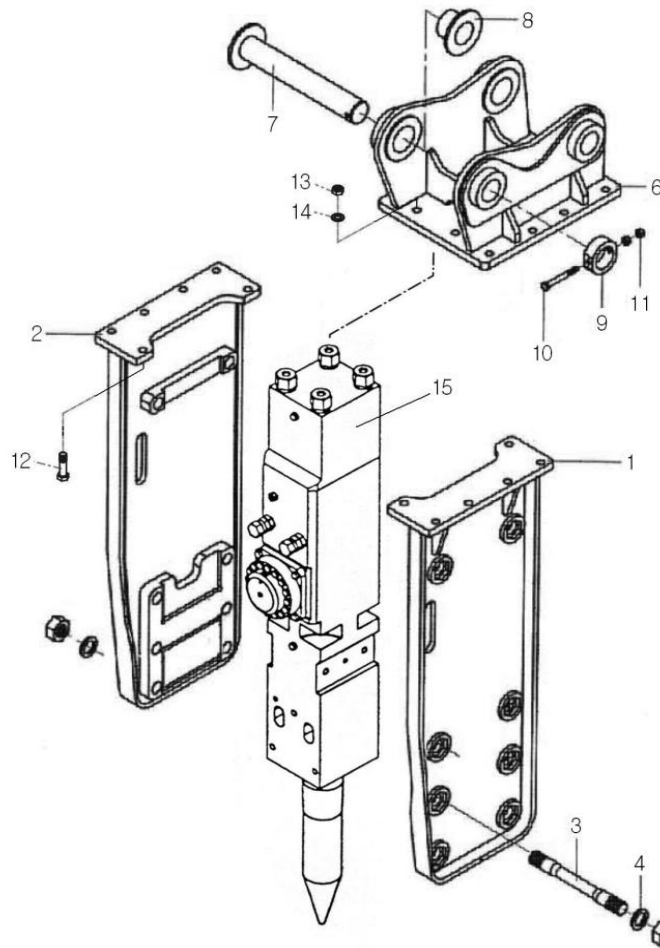
RB8000 HAMMER



ITEM	NAME	NUMBER	QTY.
	Main Body Assembly	3M03-240MBA	1
1	Back Cap	3M03-240A031	1
2	Gas Valve Assembly	3Z03-G105001	1
3	Cylinder Sleeve O-Ring	3M03-180A604	3
4	Cylinder	3M03-240A002	1
5	Cylinder Sleeve	3M03-240B005	1
6	O-Ring	3L03-180A592	1
7	Socket Plug	3L03-140A304	1
8	Gas Seal	3M03-180A314	1
9	Square Ring	3M01-180A813	2
10	Lock Pin	3E03-206A099	1
11	Buffer Seal	3M03-180A213	1
12	Piston	3M03-240P004	1
13	Dust Seal	3M03-180A164	1
14	U-Packing	3M03-180A117	1
15	Buffer Seal	3M03-180A214	1
16	O-Ring	3L03-180A596	2
17	Adapter	3L03-140A212	2
18	Union Cap	3L03-140A356	2
19	Main Valve	3M03-240B006	1
20	Valve Cap	3M03-240B008	1
21	O-Ring	3L03-180A521	1
22	O-Ring	3K04-180A568	1
23	Main Valve Inner Sleeve	3M03-240A007	1
24	Front Cap Assembly	3M03-240A003	1
25	Grease Nipple	3A03-120A621	1
26	Tool Set Pin	3M03-240B020	2
27	Shank Set Pin/Tool Stopper Pin	3M03-240A021	3
28	Tool Stop Plug	3H03-180A351	3
29	Front Cap Bushing Set Pin	3M03-240A022	2
30	Shank Bushing	3M03-240A013	1
31	Front Cap Bushing (Top Type Plates)	3M03-240A014	1
31A	Front Cap Bushing (Box Type Plates)	3M03-240A015	1
32	Tool Moil (Chisel, Blunt)	3M03-8000P (FX, E)	1
33	Side Rod Washer	3K03-227A019	4
34	Side Rod Assembly	3M03-240A016	4
35	Side Rod Upper Nut	3K03-227A017	4
36	Air Check Valve	3A03-201A046	1
37	O-Ring	3A03-180A504	2
38	Side Rod Lower Nut	3K03-227A018	4
39	Snap Ring	3H03-120A553	2
40	Rubber Plug	3H03-180A352	2
41	Hex Nut	3L03-120A307	1
42	Valve Adjuster Set	3L03-233A023	1
43	O-Ring	3L03-180A523	2
44	O-Ring	3H03-180A536	1
45	Socket Plug	3L03-140A3061	1

ITEM	NAME	NUMBER	QTY.
46	Acc. Holder Nut	3L03-120A305	1
47	O-Ring	3L03-180A680	1
48	Back-up Ring	3L03-180A737	1
49	Accumulator Body	3L03-233GA027	1
50	Socket Bolt	3K03-120A204	4
51	Acc. Holder (A)	3L03-233GA032	1
52	Acc. Holder (B)	3L03-233GA033	1
53	Acc. Holder (C)	3L03-233GA034	1
54	Acc. Holder Body Bolt	3L03-233GA037	1
55	Acc. Holder Pin	3L03-233GA036	1
56	Diaphragm	3L03-233GA025	1
57	O-Ring	3L03-180A574	1
58	Acc. Charging Valve	3L03-233GA029	1
59	O-Ring	3L03-180A575	2
60	Acc. Charging Valve Cap	3L03-233GA030	1
61	Accumulator Cover	3L03-233GA028	1
62	Socket Bolt	3L03-120A203	12
63	Acc. Hex Plug	3L03-233GA031	1
64	Heli-Sert Coil	3K03-120A601	4
65	Socket Plug	3H03-140A306	9
66	O-Ring	3H03-180A503	9
67	Plug	3H03-140A362	1
68	O-Ring	3H03-180A779	1

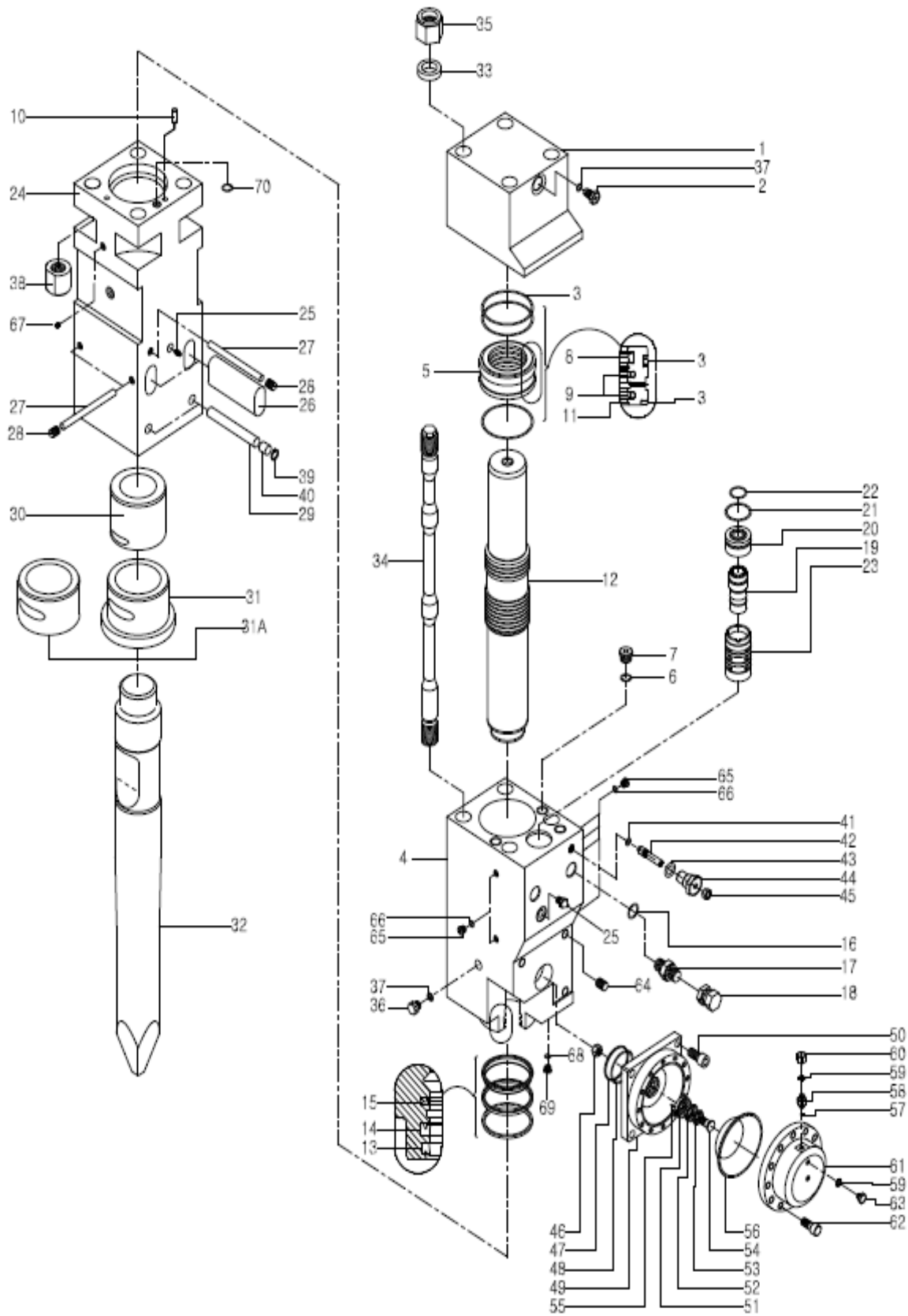
RB8000 HAMMER



RB8000 BRACKET ASSEMBLY PARTS LIST

NO.	PART NO.	DESCRIPTION	QTY.	REMARKS
1	3M03-24001	Hammer Bracket Assembly	1	
2		N/A		
3	3M03-A1031	Bracket Bolt	8	
4	3L03-A1033	Bracket Bolt Washer	16	
5	3L03-A1032	Bracket Bolt Nut	16	
6	Per Carrier Model	Top Cap	1	
7	Per Carrier Model	Bracket Pin	2	
8	Per Carrier Model	T-Bush	4	
9	Per Carrier Model	Stop Ring	2	
10	3H03-120A121	Stop Ring Bolt	2	
11	3H03-120A302	Stop Ring Nut	4	
12	3J01-TC3600B	Top Cap Bolt w/ nut & washer	12	
13	3J01-TC3600N	Top Cap Nut	12	
14	3J01-TC3600W	Top Cap Washer	12	
15	3M03-240MBA	Main Body	1	

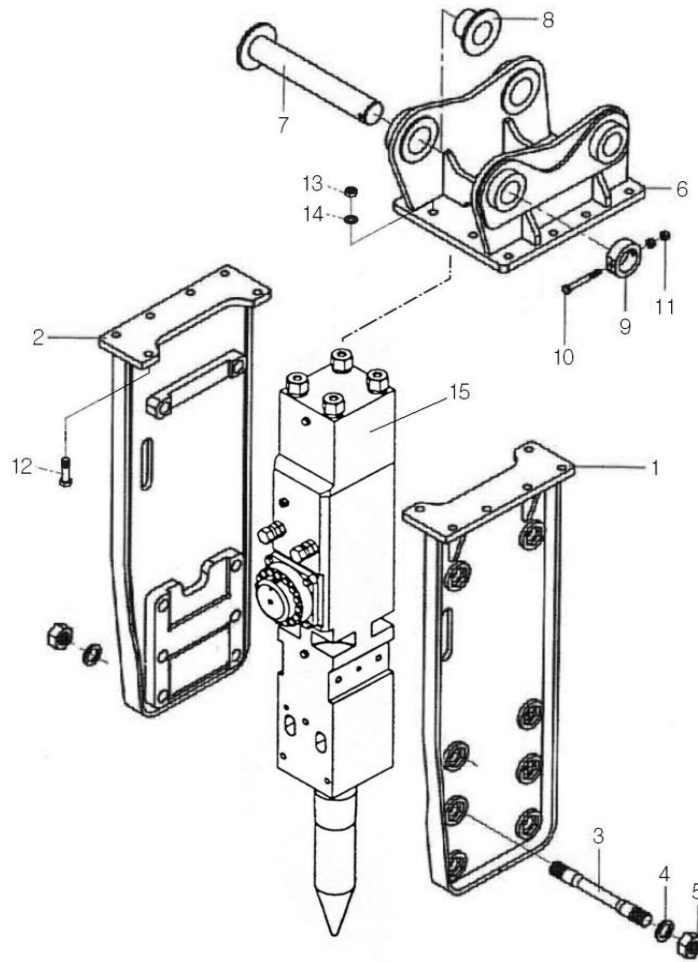
RB9500 HAMMER



ITEM	NAME	NUMBER	QTY.
	Main Body Assembly	3P03-9500MBA	1
1	Back Cap	3P03-9500A01	1
2	Gas Valve Assembly	3Z03-G105001	1
3	Cylinder Sleeve O-Ring	3M03-180A604	4
4	Cylinder	3P03-9500A02	1
5	Cylinder Sleeve	3P03-9500B05	1
6	O-Ring	3P03-180A613	1
7	Socket Plug	3P03-140A305	1
8	Gas Seal	3P03-180A315	1
9	Step Seal	3P03-180A263	2
10	Lock Pin	3E03-206A099	1
11	Buffer Seal	3P03-180A213	
12	Piston	3P03-9500P04	1
13	Dust Seal	3P03-180A165	1
14	U-Packing	3P03-180A118	1
15	Buffer Seal	3P03-180A216	1
16	O-Ring	3L03-180A596	2
17	Adapter	3L03-140A212	2
18	Union Cap	3L03-140A356	2
19	Main Valve	3P03-9500A06	1
20	Valve Cap	3P03-9500B08	1
21	O-Ring	3P03-180A617	1
22	O-Ring	3L03-180A521	1
23	Main Valve Inner Sleeve	3P03-9500B07	1
24	Front Cap Assembly	3P03-9500A03	1
25	Grease Nipple	3A03-120A621	1
26	Tool Set Pin	3P03-9500B20	2
27	Shank Set Pin/Tool Stopper Pin	3L03-233A022	3
28	Tool Stop Plug	3K04-180A354	3
29	Front Cap Bushing Set Pin	3P03-9500A22	2
30	Shank Bushing	3P03-9500A13	1
31	Front Cap Bushing (Top Type Plates)	3P03-9500A14	1
31A	Front Cap Bushing (Box Type Plates)	3P03-9500A15	1
32	Tool Moil (Chisel, Blunt)	3P03-9500P (FX, E)	1
33	Side Rod Washer	3P03-9500A19	4
34	Side Rod Assembly	3P03-9500A16	4
35	Side Rod Upper Nut	3P03-9500A17	4
36	Air Check Valve	3A03-201A046	1
37	O-Ring	3A03-180A504	3
38	Side Rod Lower Nut	3P03-9500A18	4
39	Spring Pin	3P03-120A505	2
40	Rubber Plug	3P03-180A357	2
41	O-Ring	3H03-180A779	1
42	Valve Adjuster Set	3P03-9500A023	1
43	O-Ring	3P03-180A780	2
44	Valve Adjuster Set	3P03-9500A023	1
45	Valve Adjuster Set	3P03-9500A023	1

ITEM	NAME	NUMBER	QTY.
46	Acc. Holder Nut	3L03-120A305	1
47	O-Ring	3L03-180A680	1
48	Back-up Ring	3L03-180A737	1
49	Accumulator Body	3P03-9500GA27	1
50	Socket Bolt	3P03-120A2217	4
51	Acc. Holder (A)	3L03-233GA032	1
52	Acc. Holder (B)	3L03-233GA033	1
53	Acc. Holder (C)	3L03-233GA034	1
54	Acc. Holder Body Bolt	3L03-233GA037	1
55	Acc. Holder Pin	3L03-233GA036	1
56	Diaphragm	3P03-9500GA25	1
57	O-Ring	3L03-180A574	1
58	Acc. Charging Valve	3L03-233GA029	1
59	O-Ring	3L03-180A575	2
60	Acc. Charging Valve Cap	3L03-233GA030	1
61	Accumulator Cover	3P03-9500GA28	1
62	Socket Bolt	3P03-120A211	12
63	Acc. Hex Plug	3L03-233GA031	1
64	Heli-Sert Coil	3J03-120A602	4
65	Socket Plug	3L03-140A3061	8
66	O-Ring	3P03-180A505	8
67	Plug	3H03-140A362	1
68	O-Ring	3H03-180A503	2
69	Socket Plug	3H03-140A306	2
70	O-Ring	3H03-180A779	1
71	Socket Plug	3H03-140A302	1

RB9500 HAMMER



RB9500 BRACKET ASSEMBLY PARTS LIST

NO.	PART NO.	DESCRIPTION	QTY.	REMARKS
1	3P03-950001	Hammer Bracket Assembly	1	
2		N/A		
3	3P03-A1031	Bracket Bolt	8	
4	3P03-A1033	Bracket Bolt Washer	16	
5	3P03-A1032	Bracket Bolt Nut	16	
6	Per Carrier Model	Top Cap	1	
7	Per Carrier Model	Bracket Pin	2	
8	Per Carrier Model	T-Bush	4	
9	Per Carrier Model	Stop Ring	2	
10	3H03-120A121	Stop Ring Bolt	2	
11	3H03-120A302	Stop Ring Nut	4	
12	3J01-TC3600B	Top Cap Bolt w/ nut & washer	12	
13	3J01-TC3600N	Top Cap Nut	12	
14	3J01-TC3600W	Top Cap Washer	12	
15	3P03-9500MBA	Main Body	1	

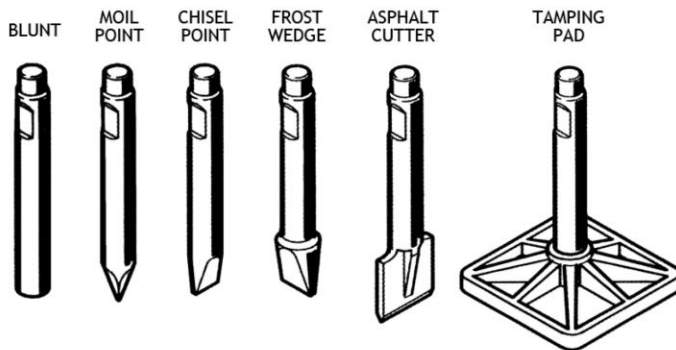
Specifications

Contents / Model		RB105	RB155	RB305	RB505	RB755	RB1005	RB1500
Weight	kg	72	150	220	250	295	500	795
	lbs.	158	330	485	550	650	1100	1750
Length	mm	1135	1342	1200	1450	1860	2101	2326
	in.	45	52	47	57	73	83	92
Required Oil Flow	l/min	15 - 25	25 - 46	40 - 70	45 - 76	50 - 95	61 - 133	80 - 110
	gpm	3.9 / 6.6	7.0 - 12.0	11.0 - 18.5	12.0 - 20.0	13 - 24	16 - 35	21.3 - 29.1
Working Pressure	bar	78 - 108	88 - 117	107 - 137	93 - 127	130 - 150	130 - 150	150 - 170
	psi	1131 - 1566	1276 - 1700	1551 - 1987	1350 - 1841	1885 - 2175	1885 - 2175	2175 - 2465
Gas Pressure	bar	14-15	14-15	14-15	14-15	14-15	14-15	14-15
	psi	205-230	205-230	205-230	205-230	205-230	205-230	205-230
Acc.. Gas Pressure	bar	n/a	n/a	n/a	n/a	n/a	n/a	n/a
	psi	n/a	n/a	n/a	n/a	n/a	n/a	n/a
Tool Diameter	mm	40	53	60	68	75	85	100
	in.	1.6	2.1	2.4	2.7	3.0	3.35	4.0
Impact Energy	joul	200	320	475	775	1120	1625	2100
	ft-lbs.	150	235	350	575	825	1200	1550
Impact Rate	bpm	800 - 1400	600 - 1100	500 - 900	510 - 1200	600 - 1100	500 - 860	350 - 700
Hose Diameter	inch	1/2	1/2	1/2	1/2	1/2	3/4	3/4
Carrier Weight	ton	.8 - 2.5	2.5 - 4.5	3.0 - 5.0	2.7 - 7.0	7.0 - 10.6	7.0 - 14.0	11.0 - 16.0

Contents / Model		RB2000	RB3600	RB4000	RB4500	RB5800	RB8000	RB9500
Weight	kg	1250	1450	1780	2100	2700	2995	4100
	lbs.	2750	3200	3900	4600	5900	6700	9100
Length	mm	2604	2691	2828	3055	3255	3395	3709
	in.	103	106	111	120	128	124	146
Required Oil Flow	l/min	90 - 120	100 - 150	120 - 150	140 - 190	170 - 240	190 - 250	210 - 290
	gpm	23.8 - 31.8	26.5 - 40.0	31.8 - 40.0	37.0 - 50.3	45.0 - 64.0	50.3 - 66.1	55.6 - 76.7
Working Pressure	bar	150 - 170	160 - 180	160 - 180	160 - 180	160 - 180	160 - 180	160 - 180
	psi	2175 - 2465	2365 - 2700	2365 - 2700	2365 - 2700	2365 - 2700	2365 - 2700	2365 - 2700
Gas Pressure	bar	14-15	14-15	14-15	14-15	14-15	14-15	14-15
	psi	205-230	205-230	205-230	205-230	205-230	205-230	205-230
Acc. Gas Pressure	bar	n/a	n/a	n/a	50-57	50-57	50-57	50-57
	psi	n/a	n/a	n/a	810-835	810-835	810-835	810-835
Tool Diameter	mm	125	135	140	150	155	165	175
	in.	4.9	5.3	5.5	5.9	6.1	6.5	6.9
Impact Energy	joul	3400	4900	5400	6800	7900	10900	13000
	ft-lbs.	2500	3600	4000	5000	5800	8025	9500
Impact Rate	bpm	350 - 650	350 - 600	350 - 600	350 - 450	300 - 450	250 - 400	200 - 350
Hose Diameter	inch	1	1	1	1	1	1	1
Carrier Weight	ton	15.0 - 18.0	18.0 - 29.0	19.0 - 32.0	22.0 - 35.0	28.0 - 45	35 - 65	40 - 70

All specifications listed are subject to change without notice.
Where specifications are critical to you application, please consult RBI.

TOOLS THAT GET THE WORK DONE FAST



ROCK BREAKERS INC.

Email: rbibreakers@yahoo.com

www.rbibreakers.com