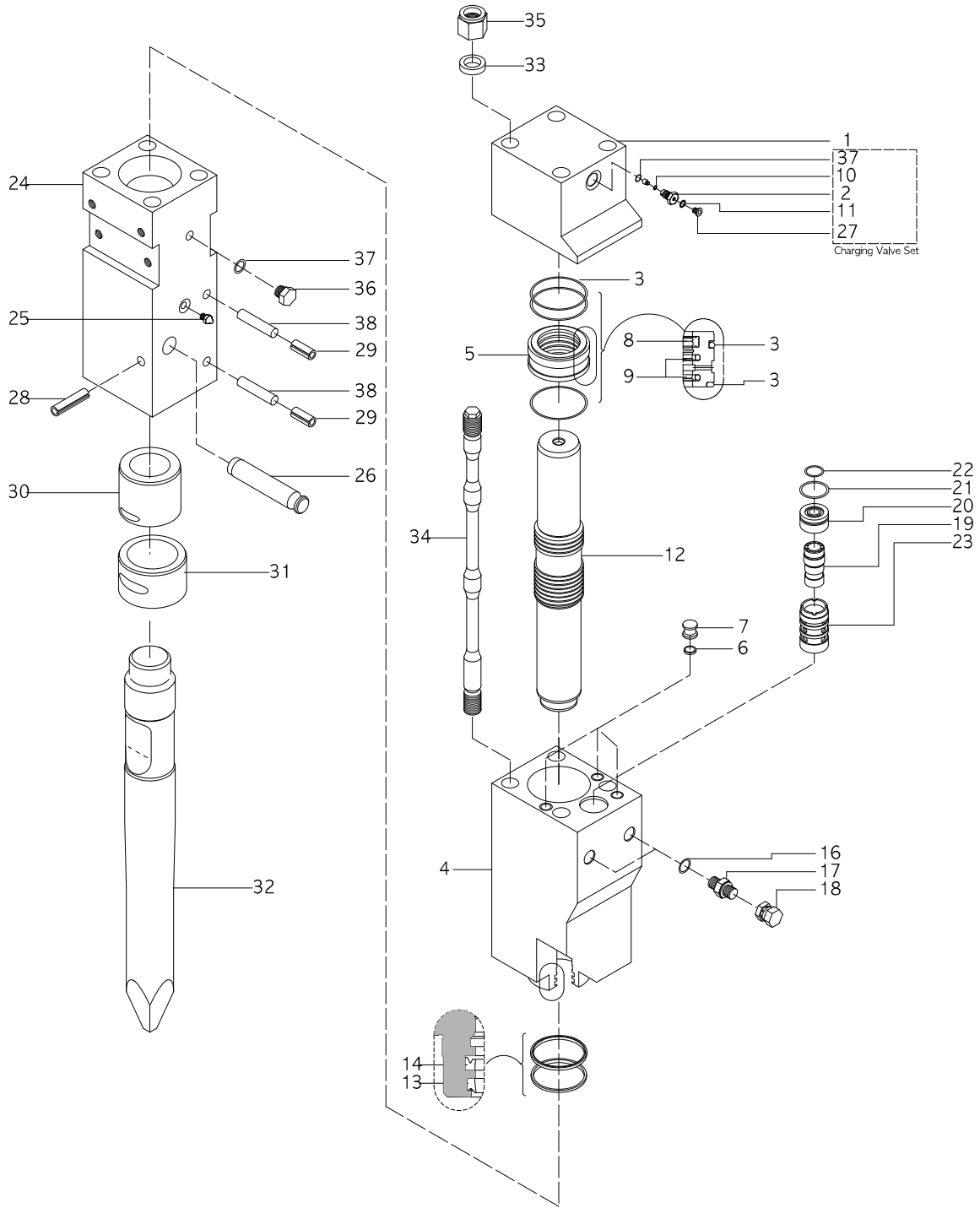


Hydraulic Breaker Parts Manual RB105 – RB1500



Rock Breakers, Inc.
www.rbibreakers.com

RB105 HAMMER



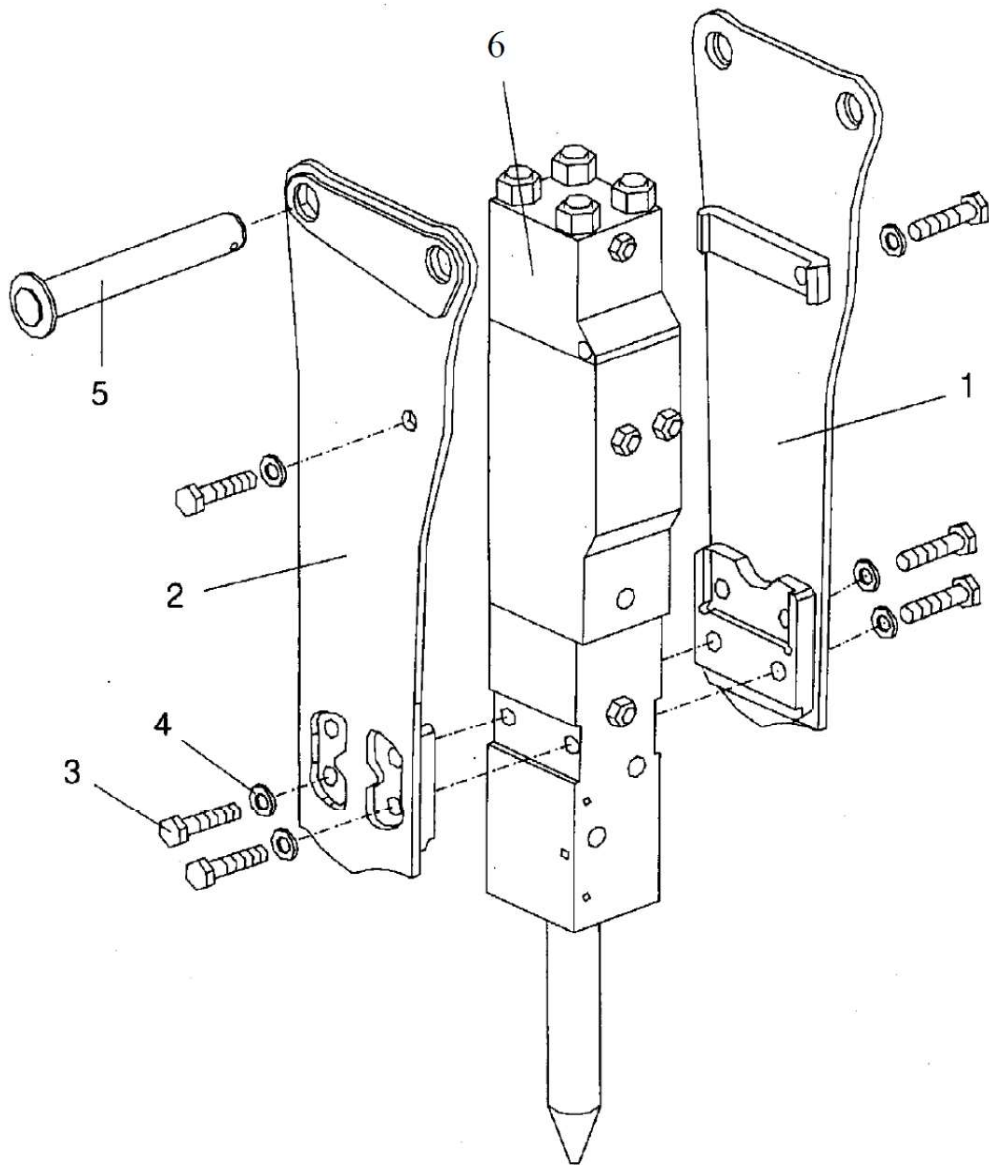
RB105 HAMMER

NO.	PARTS NO.	PARTS NAME	Q'TY	REMARKS
	3A03-201MBA	Main Body Assembly	1	
1	3A03-201A031	Back Head	1	
2	3Z03-G105001	Back Head Charging Valve Assembly	1	
3	3A03-180A502	O-Ring	3	
4	3A03-201A002	Cylinder	1	
5	3A03-201B005	Seal Retainer	1	
6	3A03-180A503	O-Ring	3	
7	3A03-180A451	Teflon Plug	3	
8	3A03-180A301	Gas Seal	1	
9	3A03-180A251	Step Seal	2	
10	3A03-180A532	O-Ring	1	
11	3A03-180A827	O-Ring	1	
12	3A03-201P004	Piston	1	
13	3A03-180A151	Dust Seal	1	
14	3A03-180A101	Rod Packing	1	
15		N/A		
16	3A03-180A505	O-Ring	2	
17	3A03-140A201	H/Adapter-01	2	
18	3A03-140A351	Union Cap	2	
19	3A03-201A006	Valve	1	
20	3A03-201A008	Valve Cap	1	
21	3A03-180A506	O-Ring	1	
22	3A03-140A351	O-Ring	1	
23	3A03-201A007	Valve Sleeve	1	
24	3A03-201A003	Front Head	1	
25	3A03-120A621	Grease Nipple	1	
26	3A03-201B020	Rod Pin	1	
27	3A03-B10A047	B/H Charging Valve Plug	1	
28	3A03-S120A501	Spring Pin	1	
29	3A03120A803	Spring Pin	2	
30	3A03-201A013	Ring Bush	1	
31	3A03-201A014	Lower Bush (Front Cover)	1	
32	3A03-105P(FX,H)	Tool Moil (Chisel, Blunt)	1	
33	3A03-201A019	Through Bolt Washer	4	
34	3A03-201A016	Through Bolt	4	
35	3A03-201A017	Through Bolt Hex. Nut	4	
36	3A03-201A046	Air Check Valve	1	
37	3A03-180A524	O-Ring	2	
38	3A03-B10A021	Stop Pin	2	

SUB ASSEMBLY

1	3A03-105SK	Seal Kit	1	
2	3A03-B10A212	Valve Set	1	
3	3A03-201A016	Through Bolt Set	1	
4	3A03-201A003	Front Head Assy	1	
5	3A03-B10A211	Back Head Gas Charging Valve Set	1	

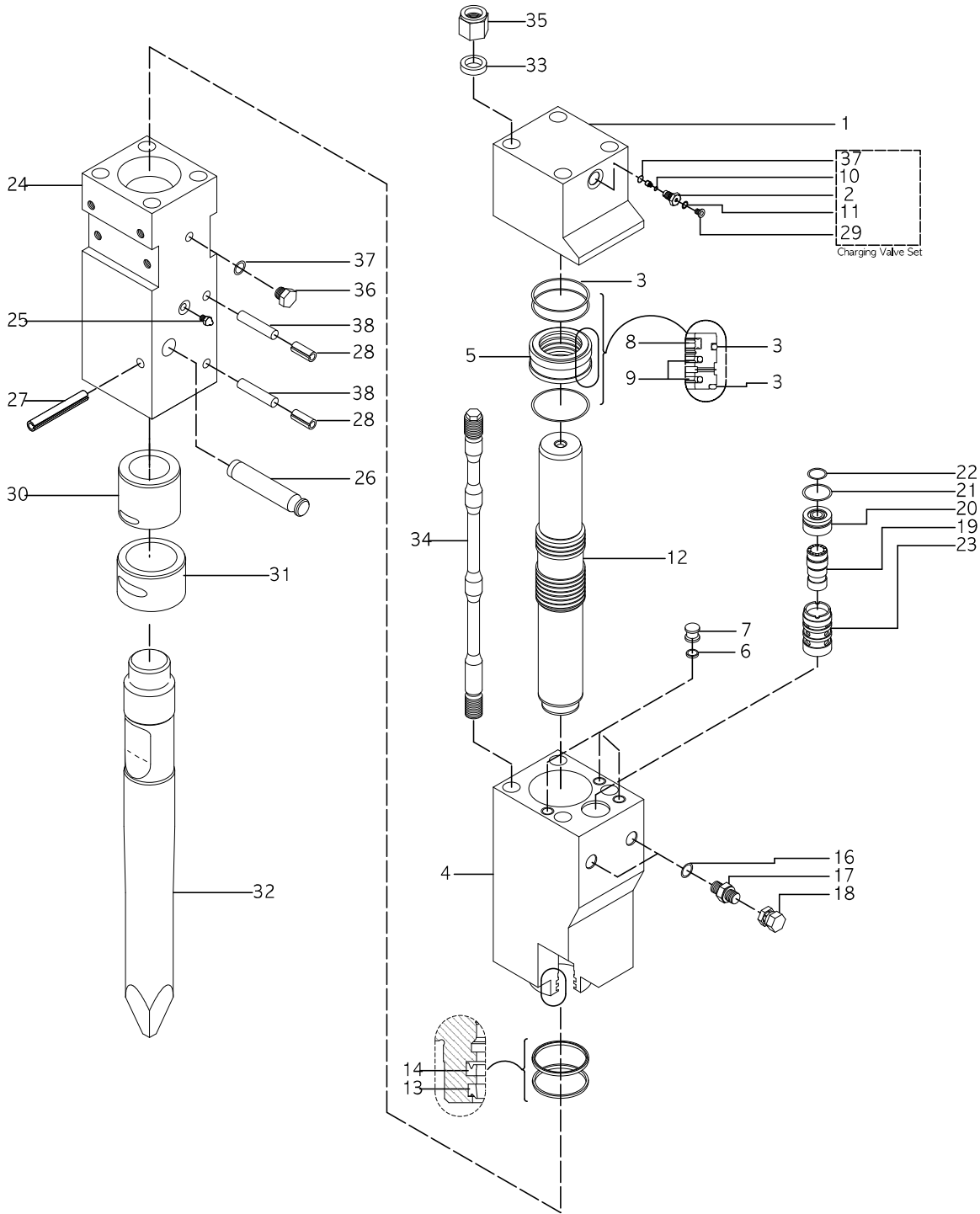
RB105 HAMMER



RB105 BRACKET ASSEMBLY PARTS LIST

NO.	PART NO.	DESCRIPTION	QTY.	REMARKS
1	3A03-201A1001	Hammer Bracket (Right)	1	
2	3A03-201A1002	Hammer Bracket (Left)	1	
3	3A03-A138	Bracket Bolt Assembly	10	
4	3A03-A469	Bracket Bolt Washer	10	
5	By carrier model	Pin	2	
6	3A03-201MBA	Main Body Assembly	1	

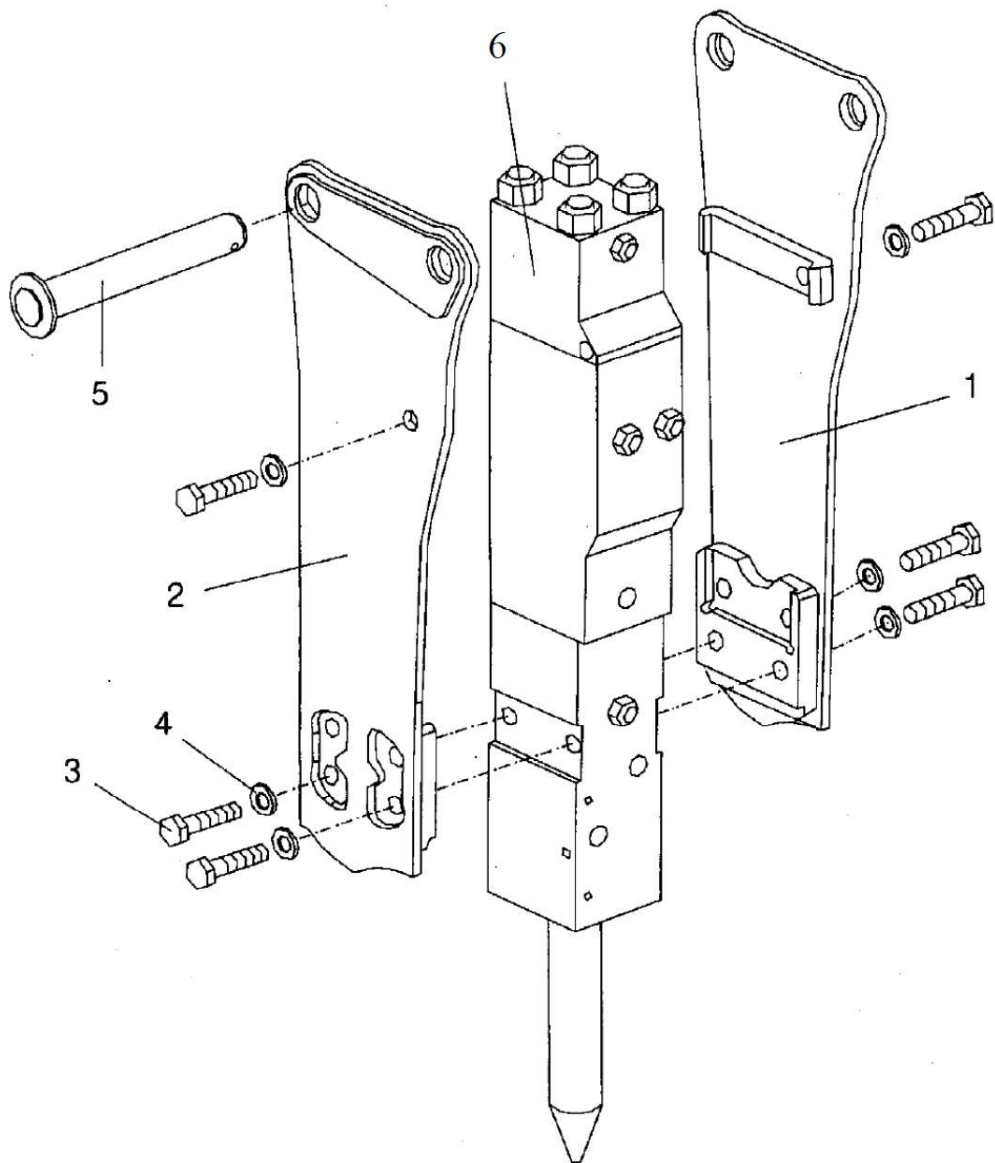
RB125 HAMMER



RB125 HAMMER

NO.	PARTS NO.	PARTS NAME	Q'TY	REMARKS
	3B03-125MBA	Main Body Assembly	1	
1	3B03-125A031	Back Head	1	
2	3Z03-G105001	Back Head Charging Valve Assembly	1	
3	3B03-180A502	O-Ring	3	
4	3B03-125A002	Cylinder	1	
5	3B03-125A005	Seal Retainer	1	
6	3A03-180A503	O-Ring	3	
7	3A03-180A451	Teflon Plug	3	
8	3B03-180A302	Gas Seal	1	
9	3B03-180A103	U-Packing	2	
10	3B03-180A532	O-Ring	1	
11	3A03-180A827	O-Ring	1	
12	3B03-125A004	Piston	1	
13	3B03-180A152	Dust Seal	1	
14	3B03-180A102	Rod Packing	1	
15		N/A		
16	3A03-180A505	O-Ring	2	
17	3A03-140A201	H/Adapter-01	2	
18	3A03-140A351	Union Cap	2	
19	3A03-201A006	Valve	1	
20	3A03-201A008	Valve Cap	1	
21	3A03-180A506	O-Ring	1	
22	3A03-180A501	O-Ring	1	
23	3A03-201A007	Valve Sleeve	1	
24	3B03-125A003	Front Head	1	
25	3A03-120A621	Grease Nipple	1	
26	3B03-125B020	Rod Pin	1	
27	3A03-S120A501	Spring Pin	1	
28	3B03-S120A803	Spring Pin	2	
29	3B03-B10A047	B/H Charging Valve Plug	1	
30	3B03-125A013	Ring Bush	1	
31	3B03-125A015	Lower Bush (Front Cover)	1	
32	3B03-125P(FX,E)	Tool Moil (Chisel, Blunt)	1	
33	3B03-125A019	Through Bolt Washer	4	
34	3B03-125A016	Through Bolt	4	
35	3B03-125A017	Through Bolt Hex. Nut	4	
36	3A03-201A046	Air Check Valve	1	
37	3A03-180A524	O-Ring	2	
38	3A03-B10A021	Stop Pin	2	
SUB ASSEMBLY				
1	3B03-125SK	Seal Kit	1	
2	3B03-B10A212	Valve Set	1	
3	3B03-125A016	Through Bolt Set	1	
4	3B03-125A003	Front Head Assy	1	
5	3Z03-G105001	Back Head Gas Charging Valve Set	1	

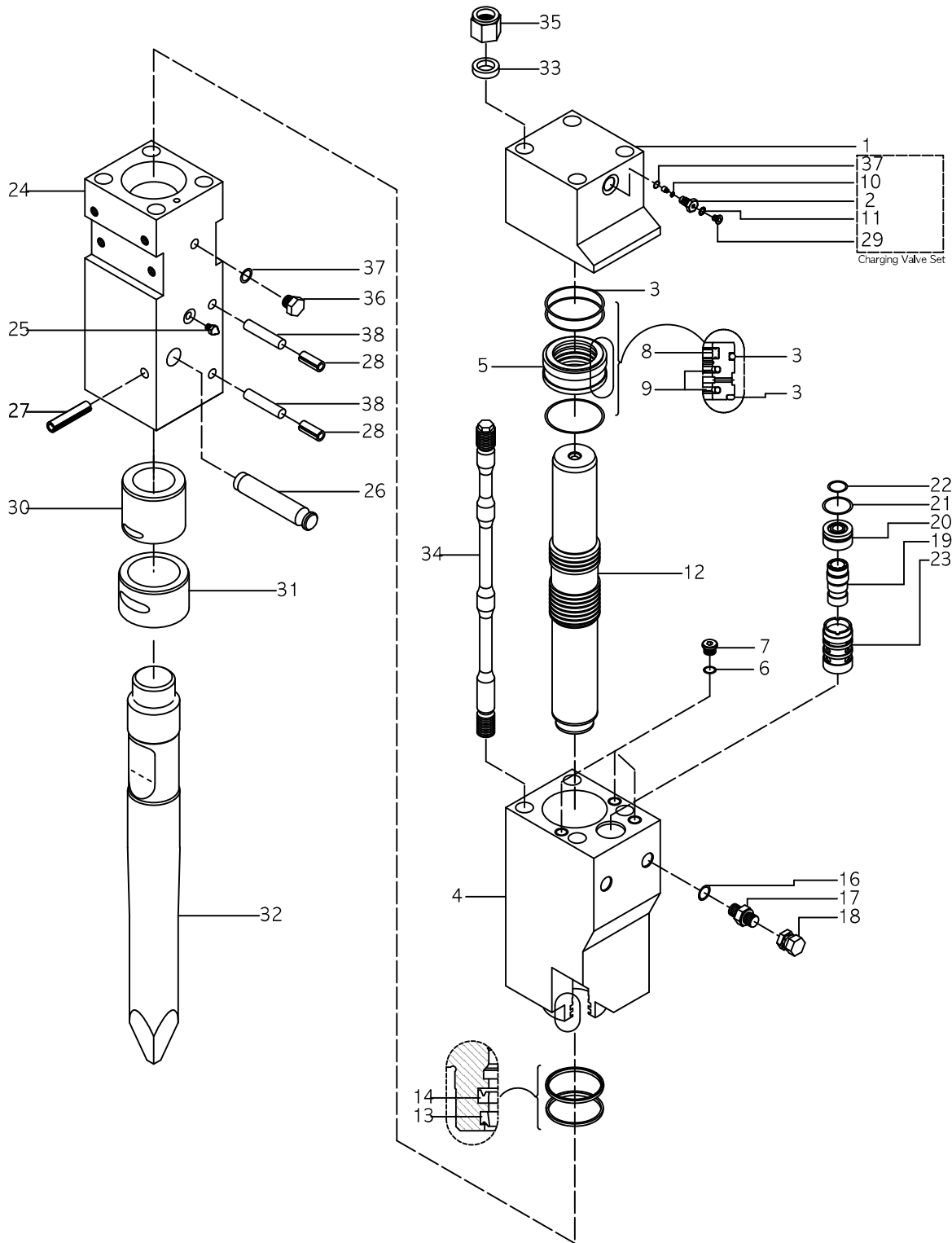
RB125 HAMMER



RB125 BRACKET ASSEMBLY PARTS LIST

NO.	PART NO.	DESCRIPTION	QTY.	REMARKS
1	3B03-125A1001	Hammer Bracket (Right)	1	
2	3B03-125A1002	Hammer Bracket (Left)	1	
3	3B03-A139	Bracket Bolt Assembly	10	
4	3B03-A470	Bracket Bolt Washer	10	
5	By carrier model	Pin	2	
6	3B03-125MBA	Main Body Assembly	1	

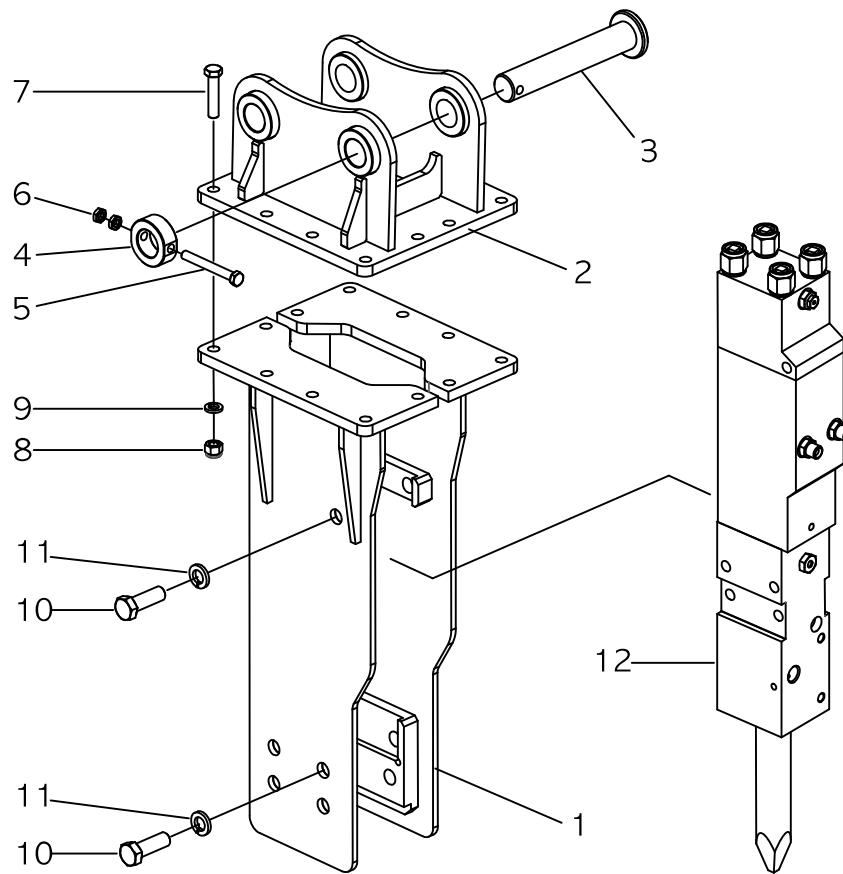
RB155 HAMMER



RB155 HAMMER

NO.	PARTS NO.	PARTS NAME	Q'TY	REMARKS
	3C03-202MBA	Main Body Assembly	1	
1	3C03-202A031	Back Head	1	
2	3Z03-G105001	Back Head Charging Valve Assembly	1	
3	3C03-180A514	O-Ring	3	
4	3C03-202A002	Cylinder	1	
5	3C03-202B005	Seal Retainer	1	
6	3A03-180A503	O-Ring	3	
7	3A03-180A451	Teflon Plug	3	
8	3C03-180A303	Gas Seal	1	
9	3C03-180A105	U-Packing	2	
10	3C03-180A532	O-Ring	1	
11	3A03-180A827	O-Ring	1	
12	3C03-202P004	Piston	1	
13	3C03-180A153	Dust Seal	1	
14	3C03-180A104	U-Packing	1	
15		N/A		
16	3A03-180A524	O-Ring	2	
17	3A03-140A201	H/Adapter-01	2	
18	3A03-140A351	Union Cap	2	
19	3C03-202A006	Valve	1	
20	3C03-202B008	Valve Cap	1	
21	3C03-180A518	O-Ring	1	
22	3A03-140A351	O-Ring	1	
23	3C03-202A007	Valve Sleeve	1	
24	3C03-202A003	Front Head	1	
25	3A03-120A621	Grease Nipple	1	
26	3C03-202B020	Rod Pin	1	
27	3A03-S120A621	Spring Pin	1	
28	3C03-S120A504	Spring Pin	2	
29	3C03-B10A047	B/H Charging Valve Plug	1	
30	3C03-202A013	Ring Bush	1	
31	3C03-202A015	Lower Bush (Front Cover)BOX	1	
32	3C03-155P(FX,E)	Tool Moil (Chisel, Blunt)	1	
33	3C03-202A019	Through Bolt Washer	4	
34	3C03-202B016	Through Bolt	4	
35	3C03-202A017	Through Bolt Hex. Nut	4	
36	3A03-201A046	Air Check Valve	1	
37	3A03-180A524	O-Ring	2	
38	3A03-B10A021	Stop Pin	2	
SUB ASSEMBLY				
1	3C03-155SK	Seal Kit	1	
2	3C03-B30A212	Valve Set	1	
3	3C03-202B016	Through Bolt Set	1	
4	3C03-202A003	Front Head Assy	1	
5	3Z03-G105001	Back Head Gas Charging Valve Set	1	

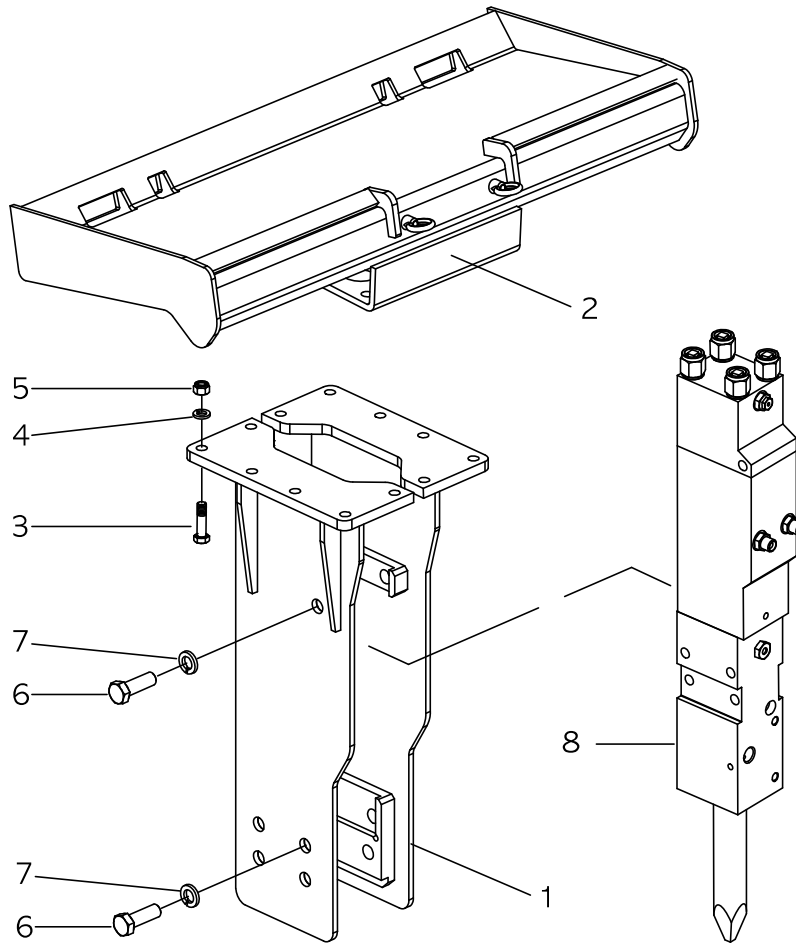
RB155 HAMMER



RB155 BRACKET ASSEMBLY PARTS LIST

NO.	PARTS NO.	PARTS NAME	Q'TY	REMARKS
1	3C03-202B1001	Top Bracket Sub Ass'y	1	
2	3C03-2021051	Mount Cap Sub Ass'y	1	
3	3C03-120A119	Bracket Pin	2	
4	3C03-120A451	Stop Ring	2	
5	3C03-120A136	Hex. Bolt	2	
6	3C03-120A303	Hex. Nut	4	
7	3C03-120A117	Hex. Bolt	12	
8	3C03-120A117	Nylon Nut	12	
9	3C03-120A451	Spring Washer	12	
10	3C03-120A140	Hex. Bolt	10	
11	3C03-120A461	Spring Washer	10	
12	3C03-202MBA	Main Body Ass'y	1	

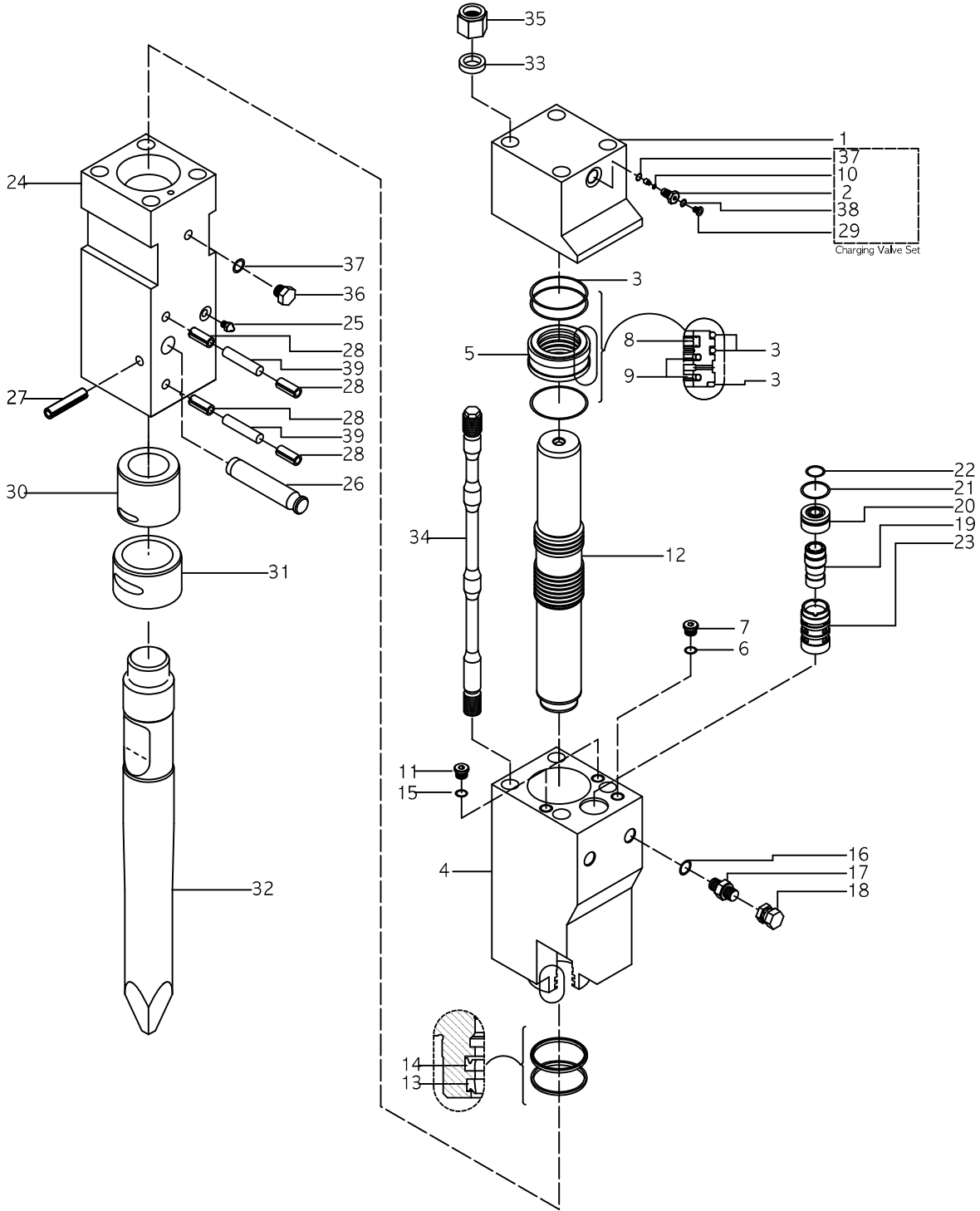
RB155 BRACKET ASSEMBLY PARTS LIST



RB155 BRACKET ASSEMBLY PARTS LIST

NO.	PARTS NO.	PARTS NAME	Q'TY	REMARKS
1	3C03-202B1001	Top Bracket Sub Ass'y	1	
2	cb-RBI-100 BO HD	Skid Upper Frame	1	
3	3C03-120A117	Hex. Bolt	12	
4	3C03-120A451	Spring Washer	12	
5	3C03-120A301	Nylon Nut	12	
6	3C03-120A140	Hex. Bolt	10	
7	3C03-120A461	Spring Washer	10	
8	3C03-202MBA	Main Body	1	

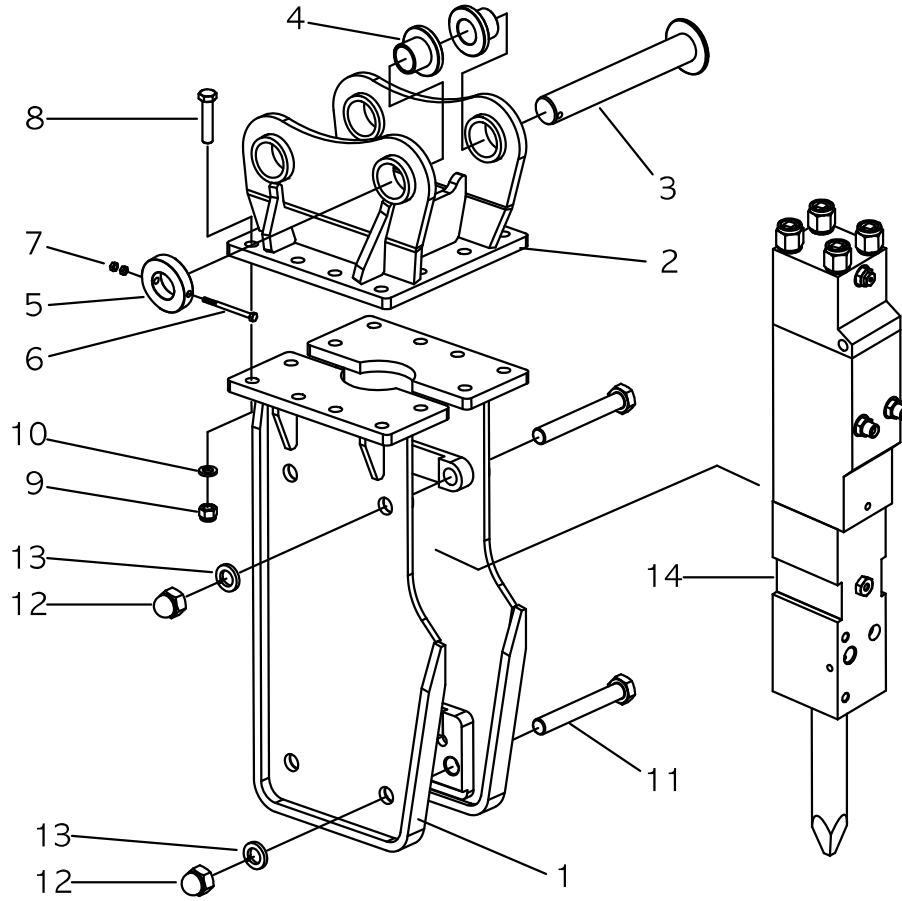
RB305 HAMMER



RB305 HAMMER

NO.	PARTS NO.	PARTS NAME	Q'TY	REMARKS
	3D03-203MBA	Main Body Assembly	1	
1	3D03-203A031	Back Head	1	
2	3Z03-G105001	Back Head Charging Valve Assembly	1	
3	3D03-180A521	O-Ring	4	
4	3D03-203A002	Cylinder	1	
5	3D03-203B005	Seal Retainer	1	
6	3A03-180A524	O-Ring	1	
7	3D03-140A301	Socket Plug	1	
8	3D03-180A304	Gas Seal	1	
9	3D03-180A252	Step Seal	2	
10	3D03-180A532	O-Ring	1	
11	3D03-140A306	Socket Plug	2	
12	3D03-203P004	Piston	1	
13	3D03-180A154	Dust Seal	1	
14	3D03-180A106	U-Packing	1	
15	3D03-180A522	O-Ring	2	
16	3A03-180A524	O-Ring	2	
17	3A03-140A201	H/Adapter-01	2	
18	3A03-140A351	Union Cap	2	
19	3D03-203A006	Valve	1	
20	3D03-203A008	Valve Cap	1	
21	3D03-180A520	O-Ring	1	
22	3A03-140A351	O-Ring	1	
23	3D03-203A007	Valve Sleeve	1	
24	3D03-203A003	Front Head	1	
25	3A03-120A621	Grease Nipple	1	
26	3D03-203B020	Rod Pin	1	
27	3D03-S120A507	Spring Pin	1	
28	3D03-S120A750	Spring Pin	4	
29	3D03-B10A047	B/H Charging Valve Plug	1	
30	3D03-203A013	Ring Bush	1	
31	3D03-203A015	Lower Bush (Front Cover)BOX	1	
32	3D03-305P(FX,E)	Tool Moil (Chisel, Blunt)	1	
33	3C03-202A019	Through Bolt Washer	4	
34	3C03-202A016	Through Bolt	4	
35	3C03-202A017	Through Bolt Hex. Nut	4	
36	3A03-201A046	Air Check Valve	1	
37	3A03-180A524	O-Ring	2	
38	3A03-180A827	O-Ring	1	
39	3D03-B35B021	Stop Pin	2	
SUB ASSEMBLY				
1	3D03-305SK	Seal Kit	1	
2	3D03-B40A212	Valve Set	1	
3	3C03-202A016	Through Bolt Set	1	
4	3D03-203A003	Front Head Assy	1	
5	3Z03-G105001	Back Head Gas Charging Valve Set	1	

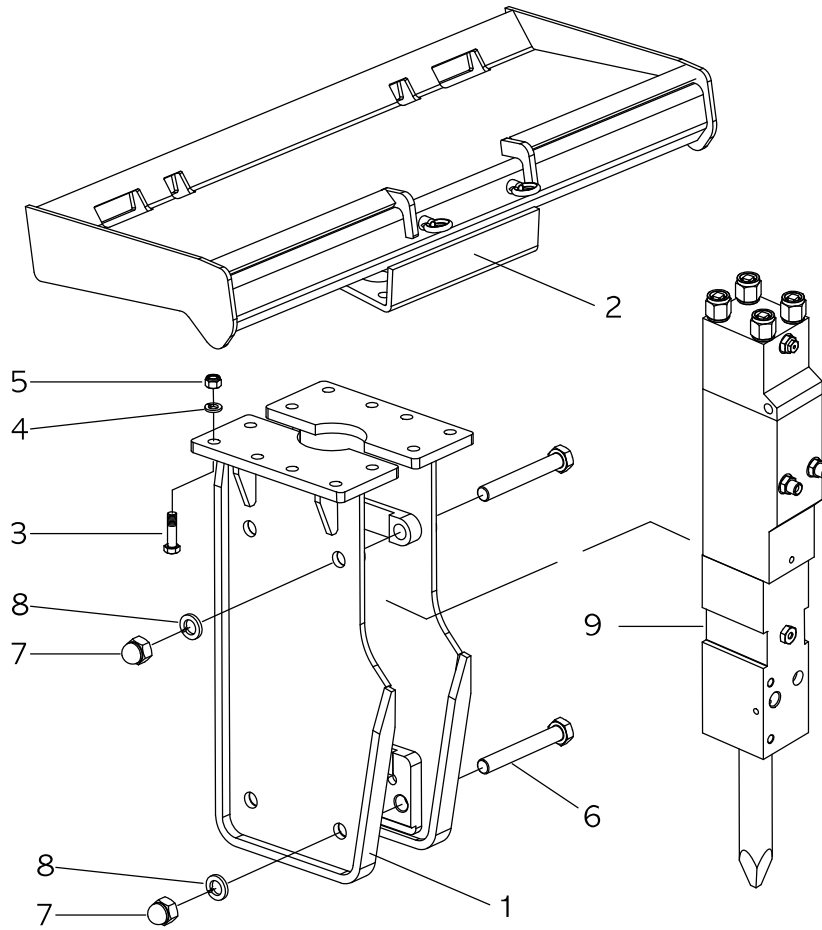
RB305 HAMMER



RB305 BRACKET ASSEMBLY PARTS LIST

NO.	PARTS NO.	PARTS NAME	Q'TY	REMARKS
1	3D03-203B1001	Top Bracket Sub Ass'y	1	
2	3D03-B35C1052	Mount Cap Sub Ass'y	1	
3	3D03-35C1042	Bracket Pin	2	
4	3D03-B35A1041	T-Bush	4	
5	3D03-B35A1043	Stop Ring	2	
6	3C03-120A117	Hex. Bolt	2	
7	3C03-120A301	Hex. Nut	4	
8	3D03-120A134	Hex. Bolt	12	
9	3D03-120A414	Nylon Nut	12	
10	3D03-120A470	Spring Washer	12	
11	3D03-120A141	Hex. Bolt	4	
12	3D03-120A355	Cap Nut	4	
13	3D03-120A452	Spring Washer	4	
14	3D03-203MBA	Main Body	1	

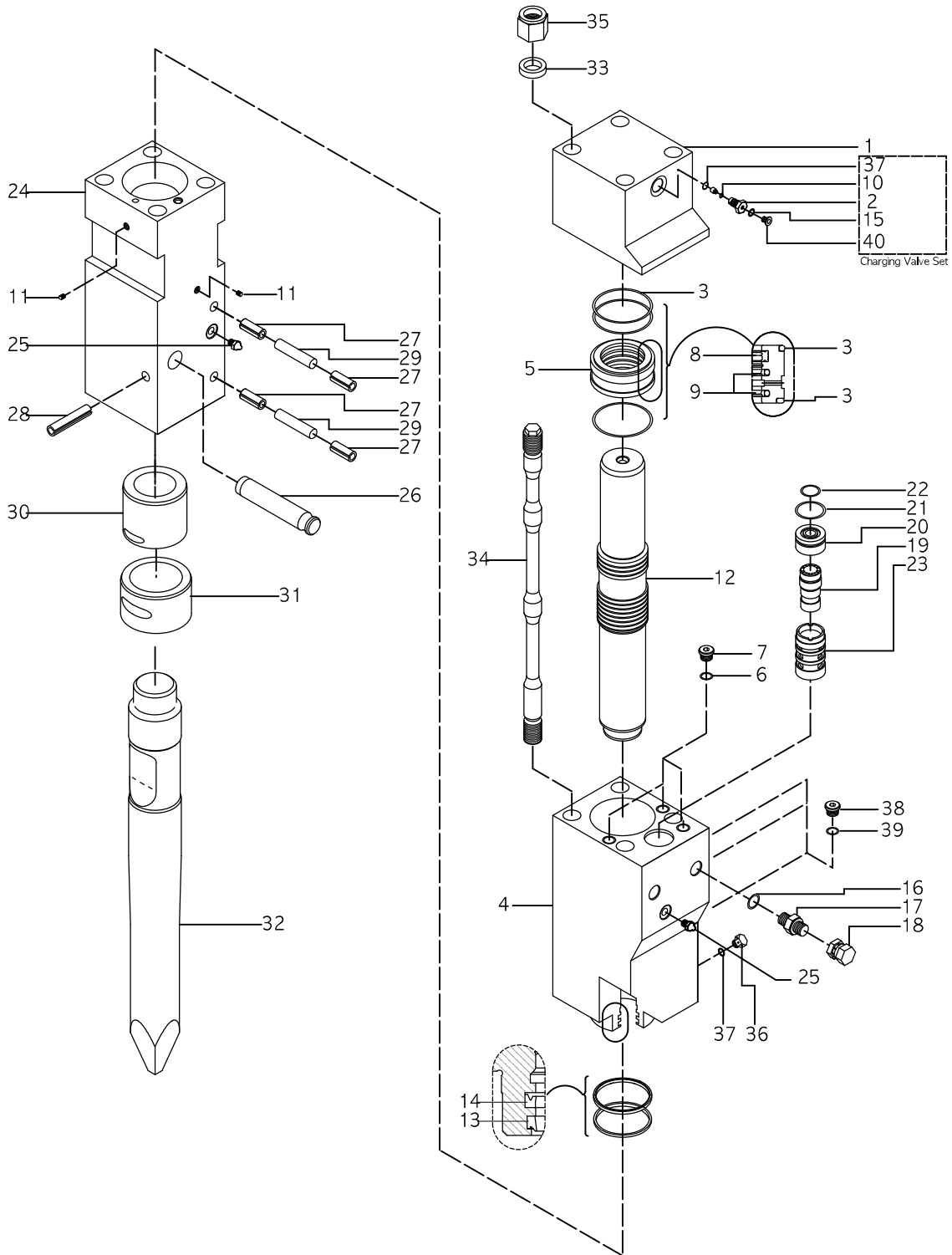
RB305 HAMMER



RB305 BRACKET ASSEMBLY PARTS LIST

NO.	PARTS NO.	PARTS NAME	Q'TY	REMARKS
1	3D03-203B1001	Top Bracket Sub Ass'y	1	
2	cb-RBI-100 BO HD	Skid Upper Frame	1	
3	3D03-120A134	Hex. Bolt	12	
4	3D03-120A470	Spring Washer	12	
5	3D03-120A414	Nylon Nut	12	
6	3D03-120A141	Hex. Bolt	4	
7	3D03-120A355	Cap Nut	4	
8	3D03-120A452	Spring Washer	4	
9	3D03-203MBA	Main Body	1	

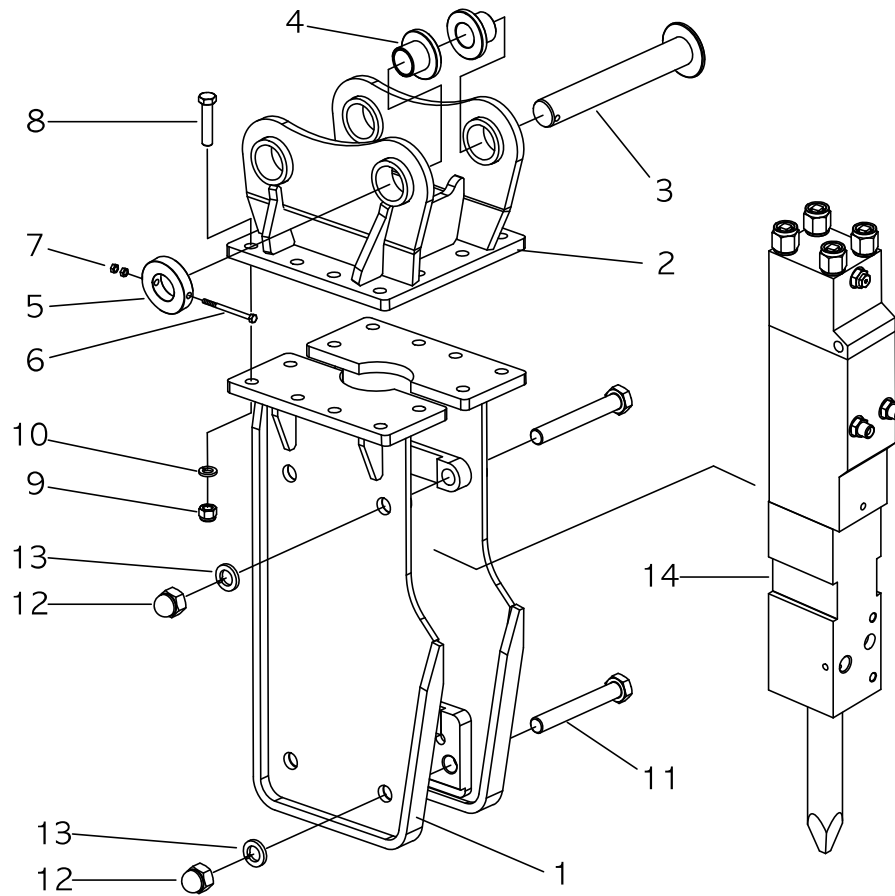
RB505 HAMMER



RB505 HAMMER

NO.	PARTS NO.	PARTS NAME	Q'TY	REMARKS
	3G03-205MBA	Main Body Assembly	1	
1	3G03-205A031	Back Head	1	
2	3Z03-G105001	Back Head Charging Valve Assembly	1	
3	3G03-180A528	O-Ring	3	
4	3G03-205A002	Cylinder	1	
5	3G03-205B005	Seal Retainer	1	
6	3A03-180A524	O-Ring	3	
7	3D03-140A301	Socket Plug	3	
8	3G03-180A305	Gas Seal	1	
9	3G03-180A253	Step Seal	2	
10	3G03-180A532	O-Ring	1	
11	3D03-140A3062	Set Screw	2	
12	3G03-205P004	Piston	1	
13	3G03-180A155	DUST SEAL	1	
14	3G03-180A107	U-PACKING	1	
15	3A03-180A827	O-Ring	1	
16	3A03-180A524	O-Ring	2	
17	3A03-140A201	H/Adapter-01	2	
18	3A03-140A351	Union Cap	2	
19	3G03-205A006	Valve	1	
20	3G03-205B008	Valve Cap	1	
21	3D03-180A520	O-Ring	1	
22	3A03-140A351	O-Ring	1	
23	3G03-205A007	Valve Sleeve	1	
24	3G03-205A003	Front Head	1	
25	3A03-120A621	Grease Nipple	2	
26	3G03-205B020	Rod Pin	1	
27	3G03-S120A506	Spring Pin	4	
28	3D03-S120A507	Spring Pin	1	
29	3G03-B40B021	Stop Pin	2	
30	3G03-205A013	Ring Bush	1	
31	3G03-205A015	Lower Bush (Front Cover)BOX	1	
32	3G03-505P(FX,E)	Tool Moil (Chisel, Blunt)	1	
33	3G03-205A019	Through Bolt Washer	4	
34	3G03-205A016	Through Bolt	4	
35	3G03-205A017	Through Bolt Hex. Nut	4	
36	3A03-201A046	Air Check Valve	1	
37	3A03-180A524	O-Ring	2	
38	3D03-140A306	Socket Plug	3	
39	3A03-180A503	O-Ring	3	
40	3A03-B10A047	B/H Charging Valve Plug	1	
SUB ASSEMBLY				
1	3G03-505SK	Seal Kit	1	
2	3G03-B40A212	Valve Set	1	
3	3G03-205A016	Through Bolt Set	1	
4	3G03-205A003	Front Head Assy	1	
5	3Z03-G105001	Back Head Gas Charging Valve Set	1	

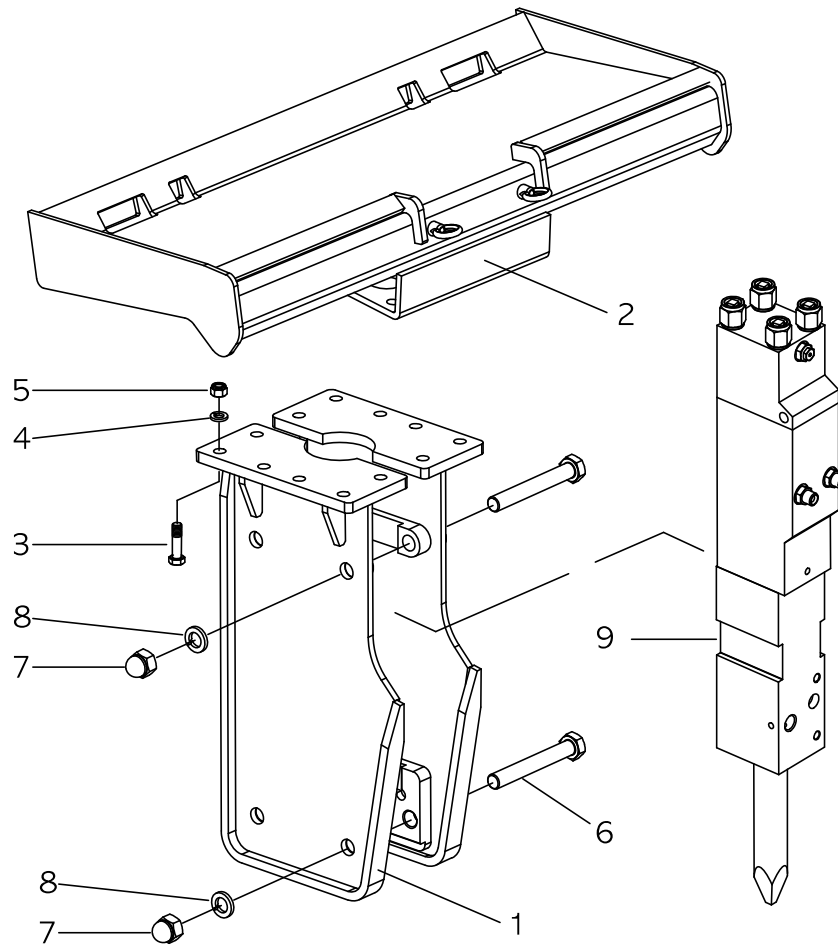
RB505 HAMMER



RB505 BRACKET ASSEMBLY PARTS LIST

NO.	PARTS NO.	PARTS NAME	Q'TY	REMARKS
1	3G03-205C1001	Top Bracket Sub Ass'y	1	
2	3G03-B40C1052	Mount Cap Sub Ass'y	1	
3	3G03-B40A1042	Bracket Pin	2	
4	3G03-B40A1041	T-Bush	4	
5	3G03-B40A1043	Stop Ring	2	
6	3C03-120A117	Hex. Bolt	2	
7	3C03-120A301	Hex. Nut	4	
8	3D03-120A134	Hex. Bolt	12	
9	3D03-120A414	Nylon Nut	12	
10	3D03-120A470	Spring Washer	12	
11	3G03-120A142	Hex. Bolt	4	
12	3D03-120A355	Cap Nut	4	
13	3D03-120A452	Spring Washer	4	
14	3G03-205MBA	Main Body	1	

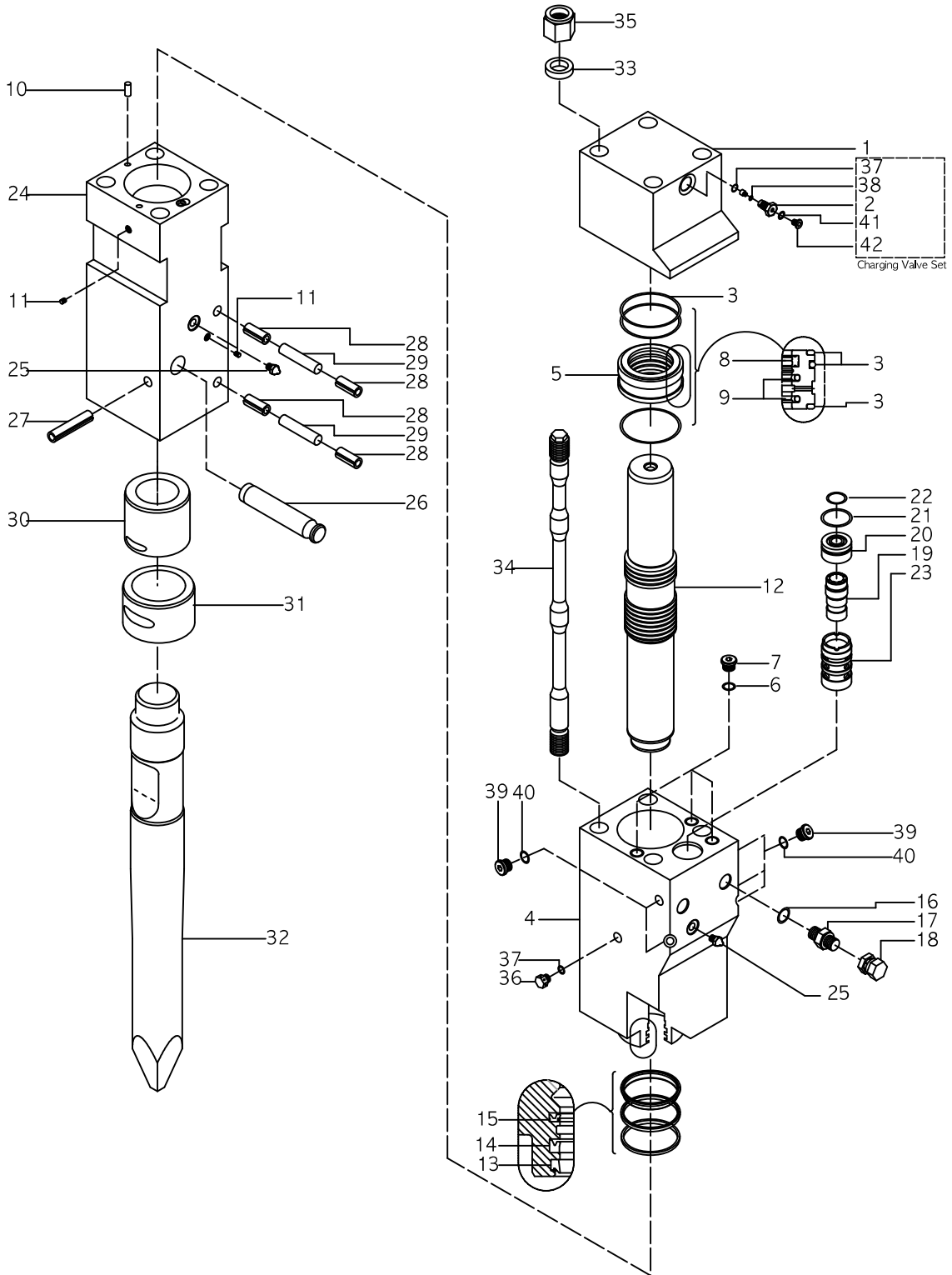
RB505 HAMMER



RB505 BRACKET ASSEMBLY PARTS LIST

NO.	PARTS NO.	PARTS NAME	Q'TY	REMARKS
1	3G03-205C1001	Top Bracket Sub Ass'y	1	
2	cb-RBI-100 BO HD	Skid Upper Frame	1	
3	3D03-120A134	Hex. Bolt	12	
4	3D03-120A470	Spring Washer	12	
5	3D03-120A414	Nylon Nut	12	
6	3G03-120A142	Hex. Bolt	4	
7	3D03-120A355	Cap Nut	4	
8	3D03-120A452	Spring Washer	4	
9	3G03-205MBA	Main Body	1	

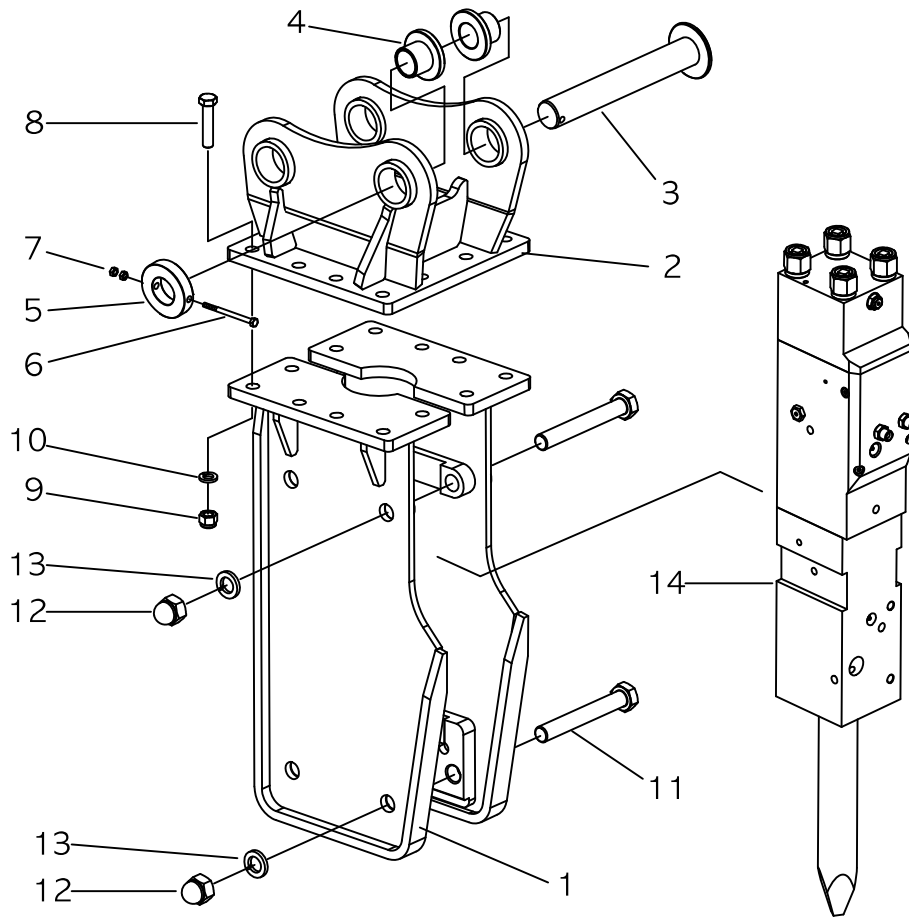
RB755 HAMMER



RB755 HAMMER

NO.	PARTS NO.	PARTS NAME	Q'TY	REMARKS
	3E03-206MBA	Main Body Assembly	1	
1	3E03-206A031	Back Head	1	
2	3Z03-G105001	Back Head Charging Valve Assembly	1	
3	3E03-180A772	O-Ring	4	
4	3E03-206A002	Cylinder	1	
5	3E03-206B005	Seal Retainer	1	
6	3A03-180A524	O-Ring	3	
7	3D03-140A301	Socket Plug	3	
8	3E03-180A767	GAS SEAL	1	
9	3E03-180A768	STEP SEAL	2	
10	3E03-206A099	Lock Pin	1	
11	3D03-140A3062	Set Screw	2	
12	3E03-206P004	Piston	1	
13	3E03-180A769	DUST SEAL	1	
14	3E03-180A770	U-PACKING	1	
15	3E03-180A771	BUFFER SEAL	1	
16	3A03-180A524	O-Ring	2	
17	3A03-140A201	H/Adapter-01	2	
18	3A03-140A351	Union Cap	2	
19	3E03-206A006	Valve	1	
20	3E03-206A008	Valve Cap	1	
21	3E03-180A533	O-Ring	1	
22	3A03-140A351	O-Ring	1	
23	3E03-206A007	Valve Sleeve	1	
24	3E03-206A003	Front Head	1	
25	3A03-120A621	Grease Nipple	1	
26	3E03-206B020	Rod Pin	1	
27	3E03-S120A505	Spring Pin	1	
28	3G03-S120A506	Spring Pin	4	
29	3E03-206A021	Stop Pin	2	
30	3E03-206A013	Ring Bush	1	
31	3E03-206A015	Lower Bush (Front Cover)	1	
32	3E03-755P(FX,E)	Tool Moil (Chisel, Blunt)	1	
33	3E03-206A019	Through Bolt Washer	4	
34	3E03-206A016	Through Bolt	4	
35	3E03-206A017	Through Bolt Hex. Nut	4	
36	3A03-201A046	Air Check Valve	1	
37	3A03-180A524	O-Ring	2	
38	3A03-180A532	O-Ring	1	
39	3D03-140A306	Socket Plug	5	
40	3A03-180A503	O-Ring	5	
41	3A03-180A827	O-Ring	1	
42	3A03-B10A047	B/H Charging Valve Plug	1	
SUB ASSEMBLY				
1	3E03-755SK	Seal Kit	1	
2	3E03-B43A212	Valve Set	1	
3	3E03-206A016	Through Bolt Set	1	
4	3E03-206A003	Front Head Assy	1	
5	3Z03-G105001	Back Head Gas Charging Valve Set	1	

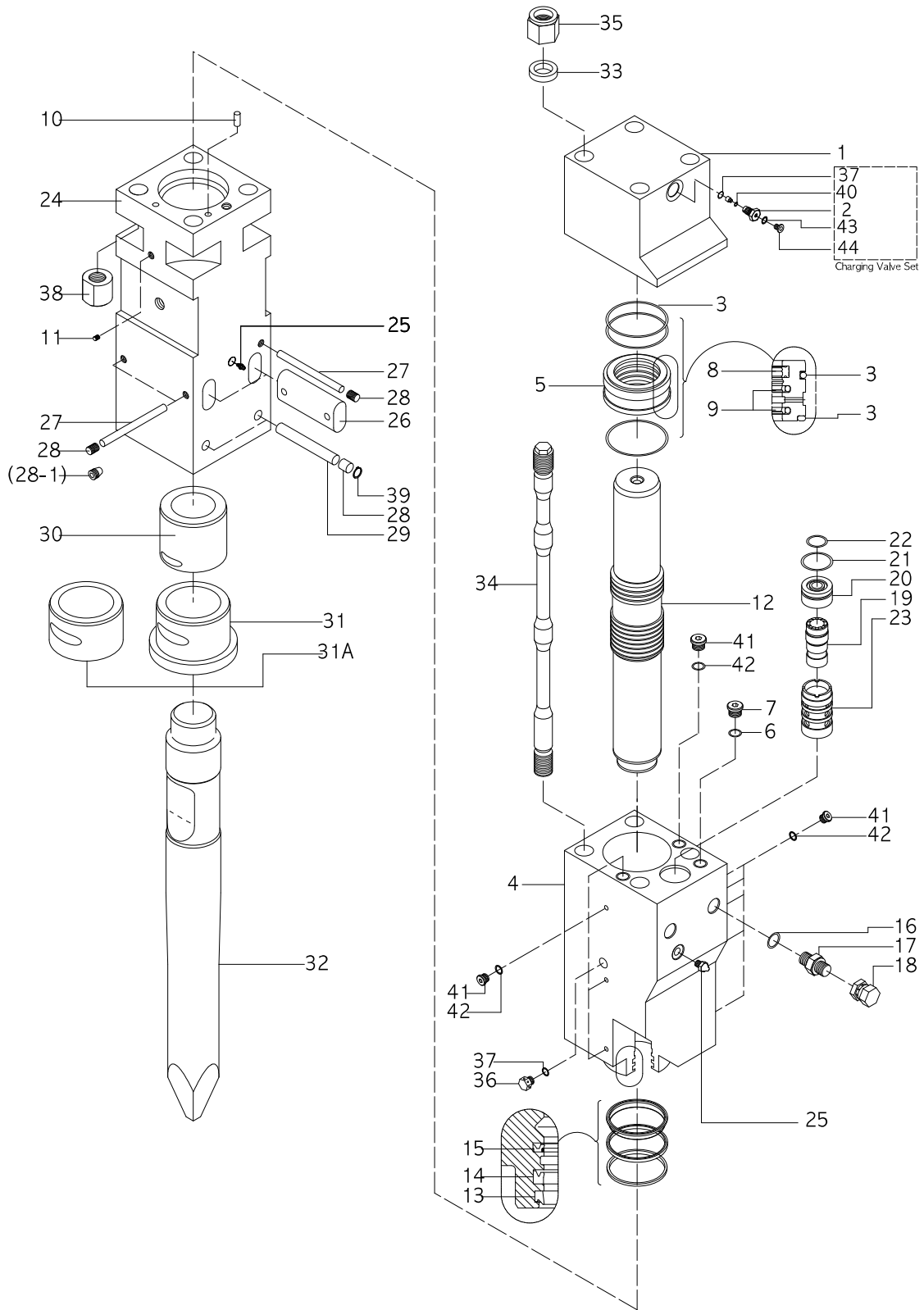
RB755 HAMMER



RB755 BRACKET ASSEMBLY PARTS LIST

NO.	PARTS NO.	PARTS NAME	Q'TY	REMARKS
1	3E03-206C1001	Top Bracket Sub Ass'y	1	
2	3E03-B433B1052	Mount Cap Sub Ass'y	1	
3	3E03B433A1042	Bracket Pin	2	
4	3E03-B433A1041	T-Bush	4	
5	3E03-B433A1043	Stop Ring	2	
6	3E03-120A730	Hex. Bolt	2	
7	3C03-120A301	Hex. Nut	4	
8	3D03-120A134	Hex. Bolt	12	
9	3D03-120A414	Nylon Nut	12	
10	3D03-120A470	Spring Washer	12	
11	3E03-120A143	Hex. Bolt	4	
12	3D03-120A355	Cap Nut	4	
13	3D03-120A452	Spring Washer	4	
14	3E03-206MBA	Main Body	1	

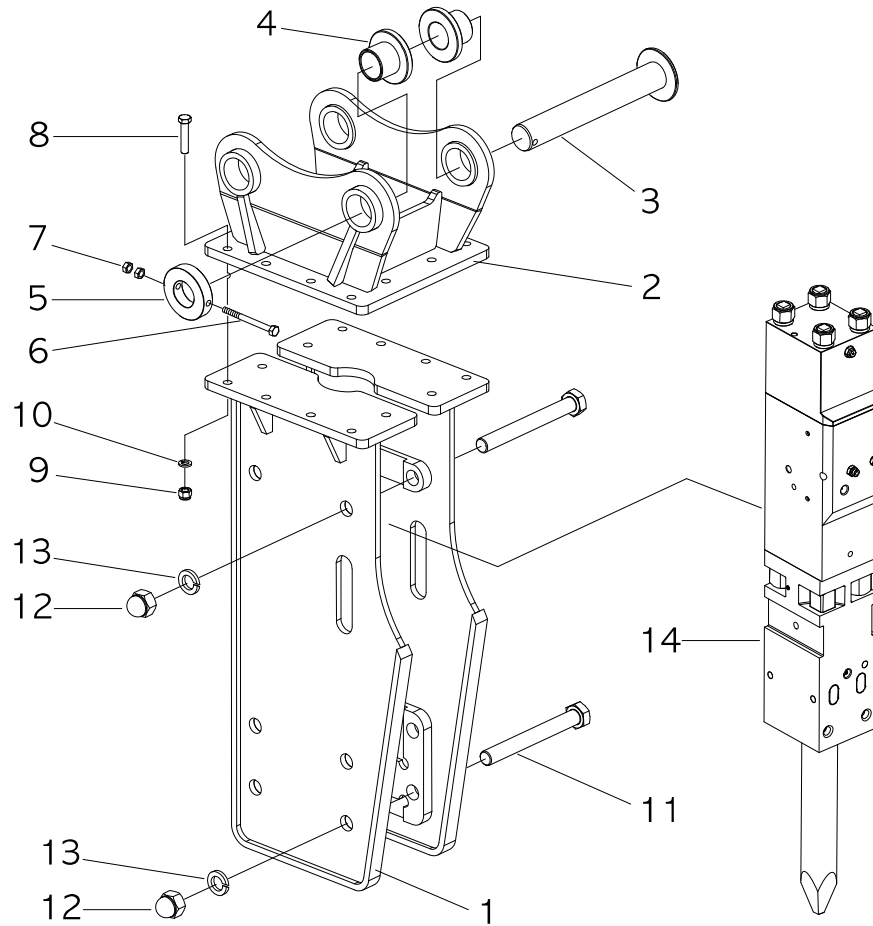
RB1005 HAMMER



RB1005 HAMMER

NO.	PARTS NO.	PARTS NAME	Q'TY	REMARKS
	3F03-210MBA	Main Body Assembly	1	
1	3F03-210A031	Back Head	1	
2	3Z03-G105001	Back Head Charging Valve Assembly	1	
3	3F03-180A539	O-Ring	3	
4	3F03-210A002	Cylinder	1	
5	3F03-210B005	Seal Retainer	1	
6	3A03-180A524	O-Ring	1	
7	3D03-140A301	Socket Plug	1	
8	3F03-180A307	Gas Seal	1	
9	3F03-180A255	Step Seal	2	
10	3E03-206A099	Lock Pin	1	
11	3D03-140A3062	Set Screw	1	
12	3F03-210P004	Piston	1	
13	3F03-180A157	Dust Seal	1	
14	3F03-180A109	U-Packing	1	
15	3F03-180A206	Buffer Seal	1	
16	3F03-180A536	O-Ring	2	
17	3F03-140A207	H/Adapter-01	2	
18	3F03-140A352	Union Cap	2	
19	3F03-210A006	Valve	1	
20	3F03-210A008	Valve Cap	1	
21	3F03-180A540	O-Ring	1	
22	3F03-180A641	O-Ring	1	
23	3F03-210A007	Valve Sleeve	1	
24	3F03-210A003	Front Head	1	
25	3A03-120A621	Grease Nipple	1	
26	3F03-210B020	Rod Pin	2	
27	3F03-210A021	Stop Pin	3	
28	3F03-180A351	Rubber Plug	5	
28-1	3F03-180A856	Socket Rubber Plug	2	
29	3F03-210A022	Front Head Pin	2	
30	3F03-210A013	Ring Bush	1	
31	3F03-210A014	Lower Bush (Front Cover)Top	1	
31A	3F03-210A015	Lower Bush (Front Cover)Box	1	
32	3F03-1005P(FX,E)	Tool Moil (Chisel, Blunt)	1	
33	3F03-210A019	Through Bolt Washer	4	
34	3F03-210A016	Through Bolt	4	
35	3F03-210A017	Through Bolt Hex. Nut	4	
36	3A03-201A046	Air Check Valve	1	
37	3A03-180A524	O-Ring	2	
38	3F03-210B018	Through Bolt Tri. Nut	4	
39	3F03-120A552	Snap Ring	2	
40	3A03-180A532	O-Ring	1	
41	3D03-140A306	Socket Plug	10	
42	3A03-180A503	O-Ring	10	
43	3A03-180A827	O-Ring	1	
44	3A03-B10A047	B/H Charging Valve Plug	1	
SUB ASSEMBLY				
1	3F03-1005SK	Seal Kit	1	
2	3F03-B45A212	Valve Set	1	
3	3F03-210A016	Through Bolt Set	1	
4	3F03-210A003	Front Head Assy	1	
5	3Z03-G105001	Back Head Gas Charging Valve Set	1	

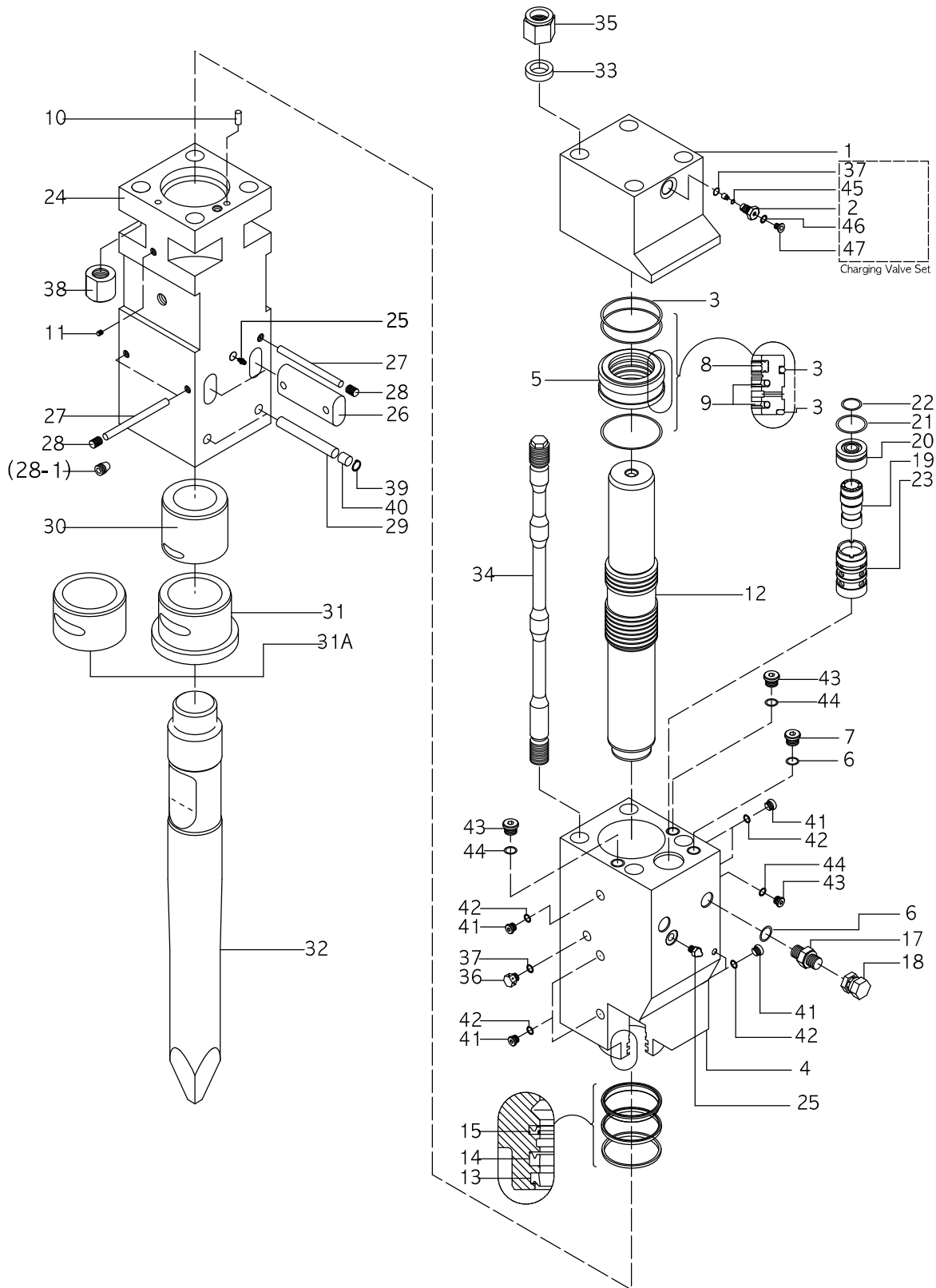
RB1005 HAMMER



RB1005 BRACKET ASSEMBLY PARTS LIST

NO.	PARTS NO.	PARTS NAME	Q'TY	REMARKS
1	3F03-210A1001R	Top Bracket Sub Ass'y	1	
2	3F03-B45B1052	Mount Cap Sub Ass'y	1	
3	3F03-B45A1042	Bracket Pin	2	
4	3F03-B45A1041	T-Bush	4	
5	3F03-B45A1043	Stop Ring	2	
6	3F03-120A120	Hex. Bolt	2	
7	3F03-120A302	Hex. Nut	4	
8	3F03-120A111	Hex. Bolt	12	
9	3F03-120A408	Nylon Nut	12	
10	3F03-120A461	Spring Washer	12	
11	3F03-120A144	Hex. Bolt	6	
12	3F03-120A356	Cap Nut	6	
13	3F03-120A459	Spring Washer	6	
14	3F03-210MBA	Main Body	1	

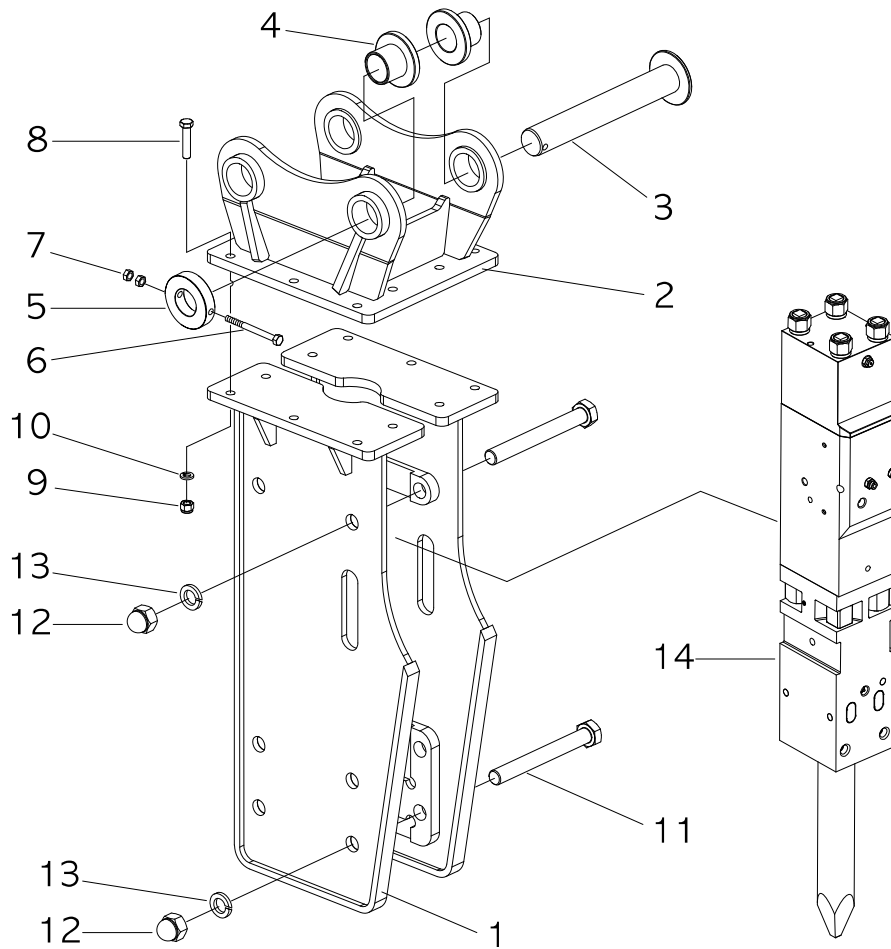
RB1500 HAMMER



RB1500 HAMMER

NO.	PARTS NO.	PARTS NAME	Q'TY	REMARKS
	3J04-212MBA	Main Body Assembly	1	
1	3J04-212A031	Back Head	1	
2	3Z03-G105001	Back Head Charging Valve Assembly	1	
3	3H03-180A554	O-Ring	3	
4	3J04-212A002	Cylinder	1	
5	3J04-212B005	Seal Retainer	1	
6	3F03-180A536	O-Ring	1	
7	3H03-140A302	Socket Plug	1	
8	3J04-180A308	Gas Seal	1	
9	3J04-180A111	U-Packing	2	
10	3E03-206A099	Lock Pin	1	
11	3D03-140A3062	Set Screw	1	
12	3J04-212P004	Piston	1	
13	3J04-180A158	DUST SEAL	1	
14	3J04-180A110	U-PACKING	1	
15	3J04-180A207	BUFFER SEAL	1	
16		N/A	2	
17	3F03-140A207	H/Adapter-01	2	
18	3F03-140A352	Union Cap	2	
19	3J04-212A006	Valve	1	
20	3J04-212B008	Valve Cap	1	
21	3J04-180A546	O-Ring	1	
22	3J04-180A545	O-Ring	1	
23	3J04-212A007	Valve Sleeve	1	
24	3J04-212A003	Front Head	1	
25	3A03-120A621	Grease Nipple	2	
26	3J04-212B020	Rod Pin	2	
27	3J04-212A021	Stop Pin	3	
28	3F03-180A351	Rubber Plug	3	
28-1	3F03-180A856	Socket Rubber Plug	2	
29	3J04-212A022	Front Head Pin	2	
30	3J04-212A013	Ring Bush	1	
31	3J04-212A014	Lower Bush (Front Cover)Top	1	
31A	3J04-212A015	Lower Bush (Front Cover)Box	1	
32	3J04-1500P(FX,E)	Tool Moil (Chisel, Blunt)	1	
33	3J04-212A019	Through Bolt Washer	4	
34	3J04-212A016	Through Bolt	4	
35	3J04-212A017	Through Bolt Hex. Nut	4	
36	3A03-201A046	Air Check Valve	1	
37	3A03-180A524	O-Ring	2	
38	3J04-212A018	Through Bolt Tri. Nut	4	
39	3J04-120A553	Snap Ring	2	
40	3J04-180A352	Rubber Plug	2	
41	3D03-140A306	Socket Plug	7	
42	3D03-180A522	O-Ring	7	
43	3J04-140A405	Socket Plug	3	
44	3J04-180A548	O-Ring	3	
45	3A03-180A532	O-Ring	1	
46	3A03-180A827	O-Ring	1	
47	3A03-B10A047	B/H Charging Valve Plug	1	
SUB ASSEMBLY				
1	3J04-1500SK	Seal Kit	1	
2	3J04-B50A212	Valve Set	1	
3	3J04-212A016	Through Bolt Set	1	
4	3J04-212A003	Front Head Assy	1	
5	3Z03-G105001	Back Head Gas Charging Valve Set	1	

RB1500 HAMMER



RB1500 BRACKET ASSEMBLY PARTS LIST

NO.	PARTS NO.	PARTS NAME	Q'TY	REMARKS
1	3J04-212E1001	Top Bracket Sub Ass'y	1	
2	3J04-B50B1052	Mount Cap Sub Ass'y	1	
3	3J04-B50C1042	Bracket Pin	2	
4	3J04-B50A1041	T-Bush	4	
5	3J04-B45A1043	Stop Ring	2	
6	3F03-120A120	Hex. Bolt	2	
7	3F03-120A302	Hex. Nut	4	
8	3F03-120A111	Hex. Bolt	12	
9	3F03-120A408	Nylon Nut	12	
10	3J04-120A461	Spring Washer	12	
11	3J04-120A804	Hex Bolt	6	
12	3J04-120A354	Cap Nut	6	
13	3J04-120A455	Spring Washer	6	
14	3J04-212MBA	Main Body	1	

